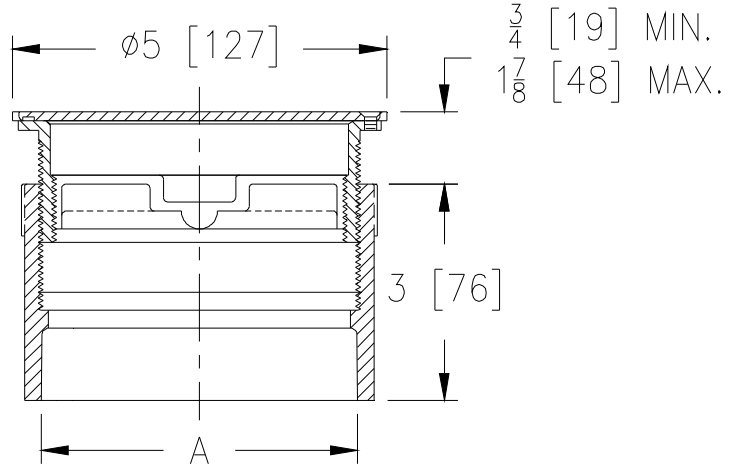


Dimensional Data (inches and [mm]) are Subject to Manufacturing Tolerances and Change Without Notice



Product	'A' Connections
____ CO2449-PV3	3 [76] PVC Hub
____ CO2449-PV4	4 [102] PVC Hub
____ CO2449-AB3	3 [76] ABS Hub
____ CO2449-AB4	4 [102] ABS Hub

ENGINEERING SPECIFICATION: CO-2449

Finished Area Adjustable Cleanout, Recommended for foot traffic and medium-duty applications. Cleanout is furnished with a PVC or ABS body, an adjustable PVC riser with a nickel bronze frame and cover, and ABS taper thread plug.

Options:

- ____ -CM Carpet Marker
- ____ -VP Vandal-Proof Screws

Typical Installation

