



EZC-6

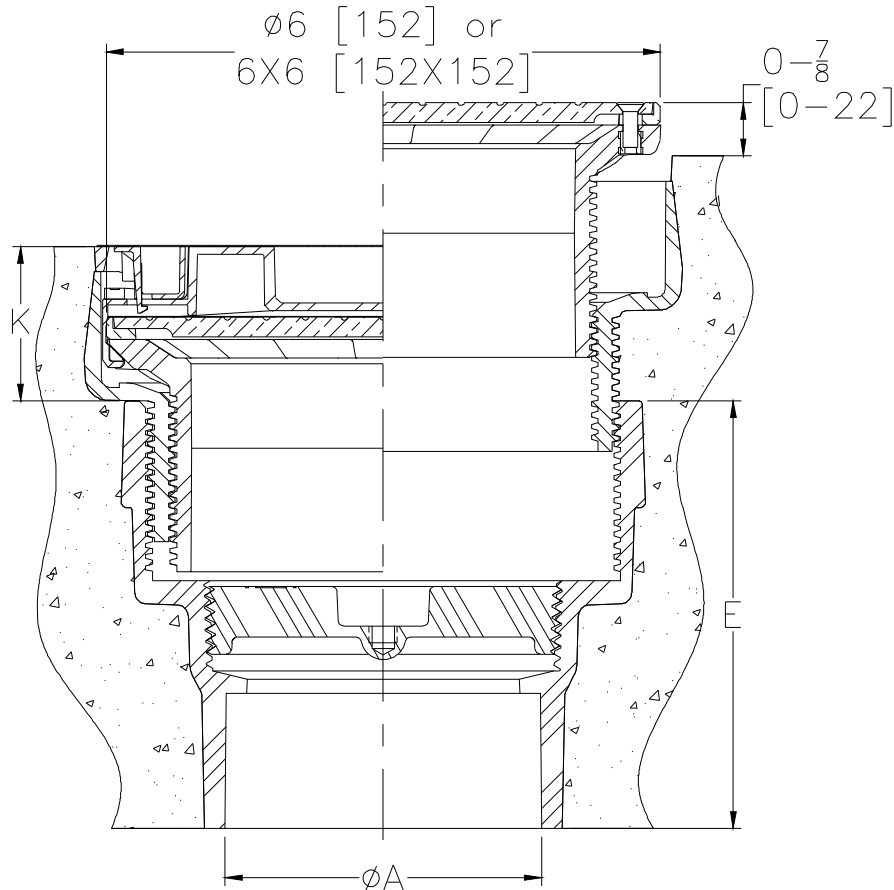
6" Top Assembly Adjustable Floor Cleanout with EZ1™ Technology

SPECIFICATION SHEET

TAG _____

**PATENT
PENDING**

Dimensional Data (inches and [mm]) are Subject to Manufacturing Tolerances and Change Without Notice



Dimensions in Inches [mm]						Approx. Wt. Lbs [kg]	Strainer Type
Product Number		A	E	K			
PVC Body	ABS Body	Pipe Size	Body Height	Min	Max		
EZC-PV3-R6	EZC-AB3-R6	3-4 [76-102]	4-3/4 [121]	1-3/4 [44]	2-15/16 [75]	6 [3]	Nickel Bronze Round
EZC-PV4-R6	EZC-AB4-R6	4 [102]	4-3/4 [121]	1-3/4 [44]	2-15/16 [75]	6 [3]	Nickel Bronze Round
EZC-PV3-S6	EZC-AB3-S6	3-4 [76-102]	4-3/4 [121]	2 [51]	3-5/32 [80]	7 [3]	Nickel Bronze Square
EZC-PV4-S6	EZC-AB4-S6	4 [102]	4-3/4 [121]	2 [51]	3-5/32 [80]	7 [3]	Nickel Bronze Square
EZC-PV3-R6-SS	EZC-AB3-R6-SS	3-4 [76-102]	4-3/4 [121]	1-3/4 [44]	2-15/16 [75]	6 [3]	Stainless Steel Round
EZC-PV4-R6-SS	EZC-AB4-R6-SS	4 [102]	4-3/4 [121]	1-3/4 [44]	2-15/16 [75]	6 [3]	Stainless Steel Round
EZC-PV3-S6-SS	EZC-AB3-S6-SS	3-4 [76-102]	4-3/4 [121]	2 [51]	3-5/32 [80]	7 [3]	Stainless Steel Square
EZC-PV4-S6-SS	EZC-AB4-S6-SS	4 [102]	4-3/4 [121]	2 [51]	3-5/32 [80]	7 [3]	Stainless Steel Square

ENGINEERING SPECIFICATION:

Zurn EZ1™ Floor Cleanout, PVC or ABS solvent weld body, with gas and water tight ABS threaded tapered plug and top assembly. EZ1 cleanout series is engineered to simplify product installation, comprised of concrete shield, up to 7/8" [22] of vertical post pour adjustment, pre-packaged shims for tilt correction, and integrated self contained square or round light duty scoriated cover in nickel bronze or stainless steel with rough-in cover for protection during the concrete pour. Cleanout is designed in accordance with ASME A112.36.2M.