



Model FP3 Caps

Application

Zurn Model FP3 Caps are standard grooved pipe ends.

- Drain Caps are designed with an intergral 1" NPT drain to allow system to be drained.

Materials

Casting ASTM A536 65-45-12 Ductile Iron

Standards Compliance

- UL® Listed
- C-UL® Listed
- FM® Approved

Features

Sizes: 1 1/4", 1 1/2", 2", 2 1/2", 3", 4", 6", 8", 10"

Maximum Pressure:

1 1/4" – 4"	400 PSI
6" – 10"	300 PSI

Options:

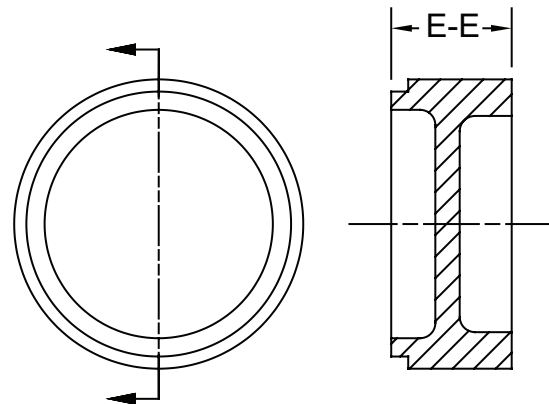
- ETF - Drain cap

Dimensions & Weights (do not include pkg.)

SIZE in.	MODEL	DIMENSIONS (approximate)	
		E to E in.	Weight lb.
1 1/4	114-FP3	0.99	0.3
1 1/2	112-FP3	0.99	0.4
2	2-FP3	0.99	0.6
2 1/2	212-FP3	0.99	0.9
3	3-FP3	0.99	1.0
4	4-FP3	0.99	2.9
6	6-FP3	0.99	4.5
8	8-FP3	0.99	9.5



4-FP3





Model FP3ETF Drain Caps



4X1-FP3ETF

Dimensions & Weights (do not include pkg.)

SIZE in.	MODEL	DIMENSIONS (approximate)	
		E to E in.	Weight lb.
2 X 1	2X1-FP3ETF	0.99	0.7
2 1/2 X 1	212X1-FP3ETF	0.99	0.8
3 X 1	3X1-FP3ETF	0.99	1.7
4 X 1	4X1-FP3ETF	0.99	2.1
6 X 1	6X1-FP3ETF	0.99	4.0

