



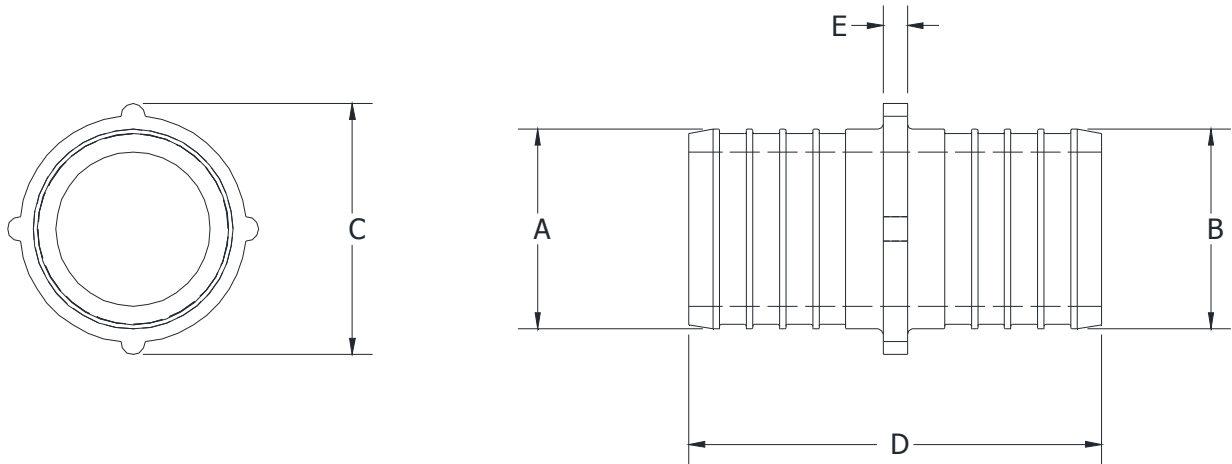
LD QQPC_X

LARGE DIAMETER Qick Sert CR® PEX COUPLING

SPECIFICATION SHEET

TAG _____

Dimensional Data (inches and [mm]) are Subject to Manufacturing Tolerances and Change Without Notice



Part Number	Description	A in [mm]	B in [mm]	C in [mm]	D in [mm]	E in [mm]
QQPC65X	1-1/4 [32] barb x 1 [25] barb coupling	1.045 [26.5]	0.856 [21.7]	1.330 [33.8]	2.150 [54.6]	0.100 [2.54]
QQPC66X	1-1/4 [32] barb x 1-1/4 [32] barb coupling	1.045 [26.5]	1.045 [26.5]	1.350 [34.3]	2.500 [63.5]	0.100 [2.54]
QQPC75X	1-1/2 [38] barb x 1 [25] barb coupling	1.233 [31.3]	0.856 [21.7]	1.560 [39.6]	2.200 [55.9]	0.150 [3.8]
QQPC76X	1-1/2 [38] barb x 1-1/4 [32] barb coupling	1.233 [31.3]	1.045 [26.5]	1.560 [39.6]	2.550 [64.8]	0.150 [3.8]
QQPC77X	1-1/2 [38] barb x 1-1/2 [38] barb coupling	1.233 [31.3]	1.233 [31.3]	1.560 [39.6]	2.550 [64.8]	0.150 [3.8]
QQPC87X	2 [51] barb x 1-1/2 [38] barb coupling	1.602 [40.7]	1.233 [31.3]	1.950 [49.5]	2.850 [72.4]	0.150 [3.8]
QQPC88X	2 [51] barb x 2 [51] barb coupling	1.602 [40.7]	1.602 [40.7]	1.950 [49.5]	3.150 [80.0]	0.150 [3.8]

Engineering Specification: Zurn PEX® Qick Sert CR® coupling.

The QQPC_X coupling is used to connect PEX tubing to PEX tubing. Molded from Radel®. These fittings, as a system with Zurn PEX tube are pressure rated at 160 PSI [1103 kPa] at 73.3°F [22.9°C], 100 PSI [689 kPa] at 180°F [82.2°C], and 80 PSI [552 kPa] at 200°F [93.3°C]. These fittings are listed by NSF as complying with the following standards: NSF/ANSI Standard 14, NSF/ANSI Standard 61, NSF/ANSI Standard 372, ASTM F877 and CSA B137.5.

Accessories

___	QCR5X	1 [25] Copper Crimp Ring
___	QCR6X	1-1/4 [32] Copper Crimp Ring
___	QCR7X	1-1/2 [38] Copper Crimp Ring
___	QCR8X	2 [51] Copper Crimp Ring
___	QCR5XPC	1 [25] QickCap® Copper Crimp Ring w/ Positioning Cap
___	QCR6XPC	1-1/4 [32] QickCap® Copper Crimp Ring w/ Positioning Cap
___	QCR7XPC	1-1/2 [38] QickCap® Copper Crimp Ring w/ Positioning Cap
___	QCR8XPC	2 [51] QickCap® Copper Crimp Ring w/ Positioning Cap
___	QGA678CR	Go-Go Gauge for Large Diameter CR Fittings
___	QCRTLDM	Large Diameter Compact Crimp Tool
___	QCRBKIT56-14	14V Battery-Powered Crimp Tool Kit (1 [25], 1-1/4 [32])
___	QBJ6	1-1/4 [32] Crimp Head
___	QBJ7	1-1/2 [38] Crimp Head
___	QBJ8	2 [51] Crimp Head

* Regularly furnished unless otherwise specified.