



Model HGI-25 Hose Bibb Pressure Gauge with Maximum pressure indicator

Application:

Designed for measuring water system pressure within a building. The 3/4" hose adapter allows for direct connection to a hose bibb or water heater drain valve. The indicator needle identifies the highest pressure reached within the system. Ideal for registering maximum system pressure caused by thermal expansion or pressure spikes. The maximum pressure indicator needle can be reset by turning the external knob counter clockwise. For water service only.

- Identify water service pressure to determine if a pressure regulator is needed.
- Troubleshoot pressure problems.
- Identify thermal expansion problems.

NOTE: A Pressure Regulator should be installed when supply pressure exceeds 60psi.

Features

Sizes: 3/4" Hose Connection

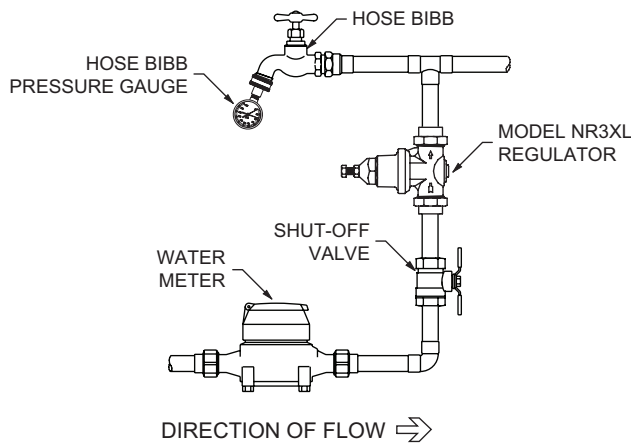
Dial size: 2"

Range: 0-200 psi; minimum 2 psi graduation

3/4" hose adaptor

Knurled for easy gripping

Sold in convenient pegboard packaging



**TYPICAL INSTALLATION
(MODEL HGI-25)**



92-25

Model 25 Pressure Gauges

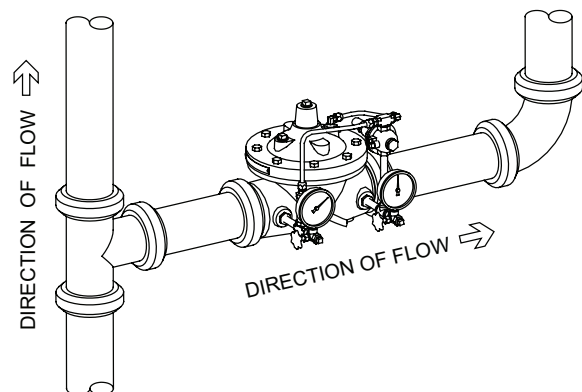
Application:

Designed for accurately measuring system pressure up or downstream of a Pressure Reducing Valve. For water service only.

Features

Part #	Dial Size	Range	Connection	Liquid Filled	UL/ FM
92-25A	2"	0-100	1/8" NPT		
2006-25BP-300	2"	0-300	1/8" NPT		
92-25	2"	0-100	1/4" NPT		
2004-25-300	2-1/2"	0-300	1/4" NPT		
2004-25-400	2-1/2"	0-400	1/4" NPT		
2010-25-300	3-1/2"	0-300	1/4" NPT		
2010-25-400	3-1/2"	0-400	1/4" NPT		
2006-25LBP-300	2"	0-300	1/8" NPT	Yes	
2004-25L-300	2-1/2"	0-300	1/4" NPT	Yes	
2004-25L-400	2-1/2"	0-400	1/4" NPT	Yes	
2005-25UL	3-1/2"	0-300	1/4" NPT		Yes

UL/FM and Liquid filled gauges have a stainless steel case. All other gauges have a black painted steel case.



**TYPICAL INSTALLATION
(MODEL ZW209FP with gauge 2005-25UL)**