



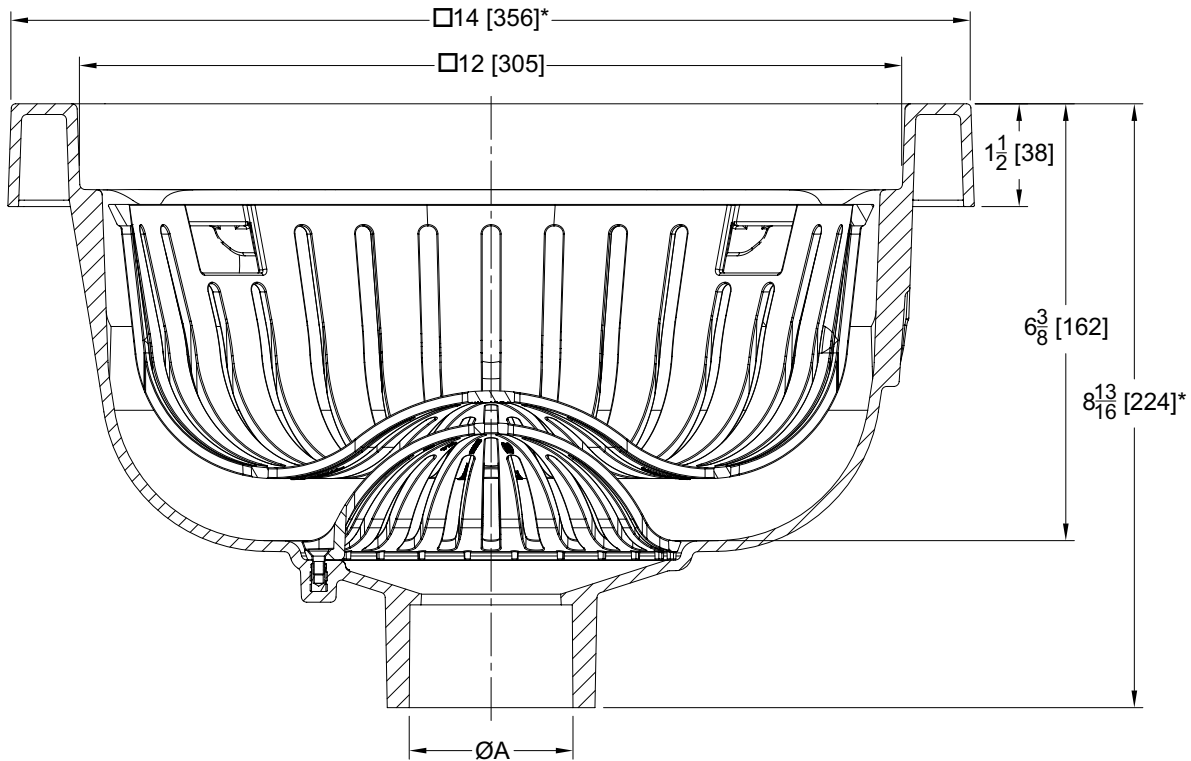
FS12-Y

12" [305] SQUARE SANITARY PVC FLOOR SINK
WITH 6-3/8 [162] SUMP DEPTH AND SEDIMENT BUCKET

SPECIFICATION SHEET

TAG _____

Design and Dimensional Data (inches and [mm]) are Subject to Manufacturing Tolerances and Change Without Notice



ENGINEERING SPECIFICATION: ZURN FS12-Y

Sanitary PVC floor sink with 14" [305 mm] square top x 6-3/8 [162 mm] deep sump with smooth internal surface, Sani- Loc dome strainer and plastic sediment bucket, designed in accordance to ASME A112.6.7 & CSA B45.5/IAPMO Z124 standards. All full grates are rated medium-duty unless otherwise noted.

Product	"A" Connections
___ FS12-6-PV2-Y	2 [51] PVC Solvent Weld
___ FS12-6-PV3-Y	3 [76] PVC Solvent Weld
___ FS12-6-PV4-Y	4 [102] PVC Solvent Weld

* Add 7/32 [13] to diameter and 9/16 [14] to overall height.

SUFFIXES

- ___ -F Full Grate
- ___ -H Half Grate
- ___ -NF Full Nickel Bronze Grate* (light-duty)
- ___ -NH Half Nickel Bronze Grate*
- ___ -SF Full Stainless Steel Grate*
- ___ -SH Half Stainless Steel Grate*
- ___ -TSP ZShield Z1072

* Regularly furnished unless otherwise specified

⚠ WARNING: Cancer and Reproductive Harm - www.P65Warnings.ca.gov

⚠ ADVERTENCIA: Cáncer y daño reproductivo - www.P65Warnings.ca.gov

⚠ AVERTISSEMENT: Cancer et effets néfastes sur la reproduction - www.P65Warnings.ca.gov

Zurn Industries, LLC | Specification Drainage Operation
1801 Pittsburgh Avenue, Erie, PA 16502, Ph. 855.663.9876

In Canada | Zurn Industries Limited
7900 Goreway Drive, Unit 10, Brampton, Ontario L6T 5W6, Ph. 877.892.5216

www.zurn.com

Rev.	B
Date:	01/10/23
C.N. No.	144899
Patent	zurn.com/patents
Prod. Dwg. No.	FS12-Y