



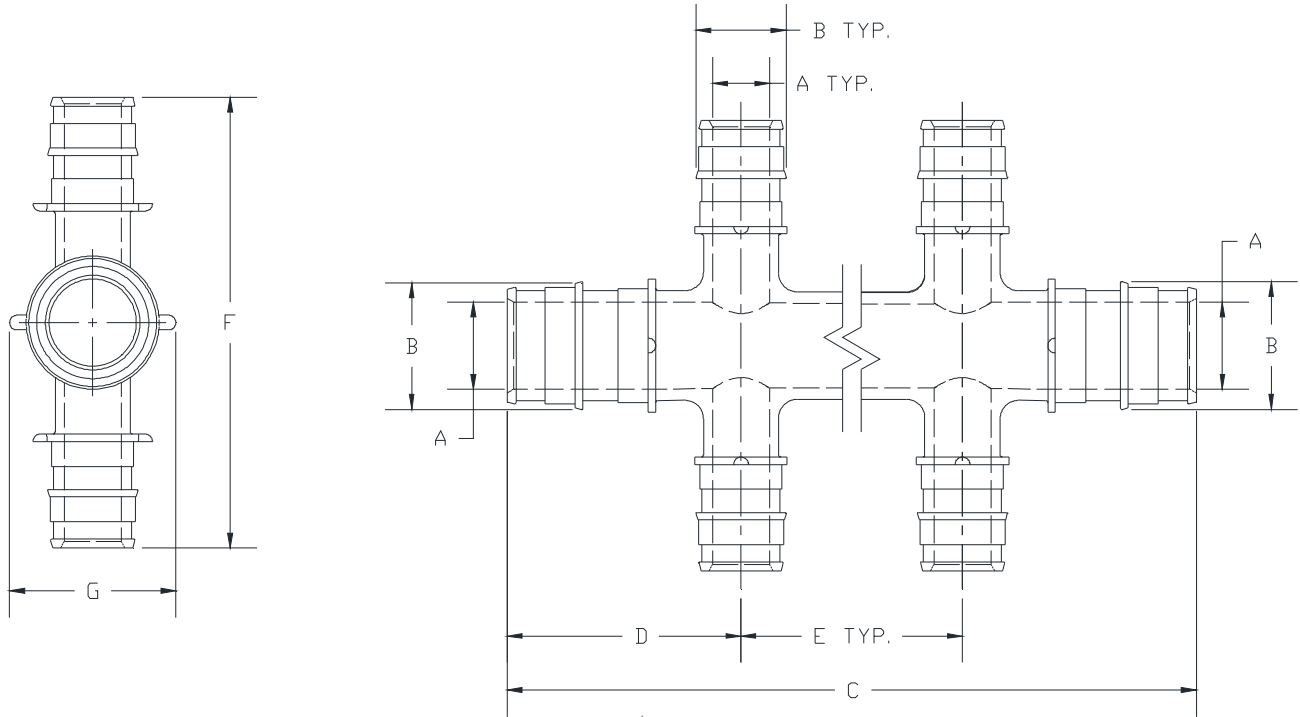
**QEPMFO\_**

**F1960 EXPANSION CR MULTIPOST TEE - FLOW-THRU  
EX PEX MAINS WITH OPPOSED EX PEX OUTLETS**

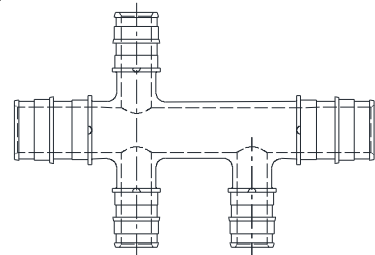
**SPECIFICATION SHEET**

**TAG \_\_\_\_\_**

Dimensional Data (inches and [ mm ]) are Subject to Manufacturing Tolerances and Change Without Notice



TYPICAL CONNECTION SIZE		
Tee Port Size	A	B
	in [mm]	in [mm]
1/2" EX PEX	0.39 [10]	0.61 [16]
3/4" EX PEX	0.59 [15]	0.87 [22]



3 Outlet shown for reference

Part Number	CR Expansion Multiport Tee Size EX PEX Mains x EX PEX Outlets	Dimensions in Inches [mm]				
		C	D	E	F	G
QEPMFO443-3	Mains 3/4" x 3/4", (3) 1/2" Outlets	4.40 [112]	1.58 [40]	1.25 [32] TYP.	2.36 [60]	1.18 [30]
QEPMFO443-4	Mains 3/4" x 3/4", (4) 1/2" Outlets	4.40 [112]	1.58 [40]	1.25 [32] TYP.	2.36 [60]	1.18 [30]
QEPMFO443-6	Mains 3/4" x 3/4", (6) 1/2" Outlets	5.65 [144]	1.58 [40]	1.25 [32] TYP.	2.36 [60]	1.18 [30]

**Engineering Specification:** Zurn PEX® CR Polymer F1960 Expansion Multiport Tee.

The QEPMFO\_ is used with Zurn Non-Barrier PEX tubing in potable water applications. Molded from PPSU, these fittings, as a system with Zurn PEX® tube and Zurn PEX reinforcing rings are pressure rated at 160 PSI at 73°F, 100 PSI at 180°F, and 80 PSI at 200°F. These fittings are 3rd Party certified as complying with the following standards: NSF/ANSI Standard 14, NSF/ANSI Standard 61, NSF/ANSI Standard 372 (Low Lead), ASTM F1960, CSA B137.5.

**Accessories**

- \_\_\_ QER3X            1/2" PEX Expansion Reinforcing Ring w/Stop
- \_\_\_ QER4X            3/4" PEX Expansion Reinforcing Ring w/Stop
- \_\_\_ QEMT345        F1960 Manual Expansion Tool Kit - 1/2" to 1"