



# QHADJACTS

## ADJUSTABLE ZONE VALVE ACTUATOR WITH END SWITCH

**Engineering Specification:** Zurn QHADJACTS Zurn Adjustable Zone Valve Actuator with End Switch. This Actuator can be installed on the Zurn Accuflow Stainless Steel, Accuflow Brass and QickZone Manifolds to create multiple zones. (Note: The included Threaded Adaptor and Spacer are only required when installing the actuator on the Accuflow Brass and QickZone Manifolds.) The QHADJACTS is also for use with Zurn QHSZV\_ Zone Valves and QHDV5 Diverter.

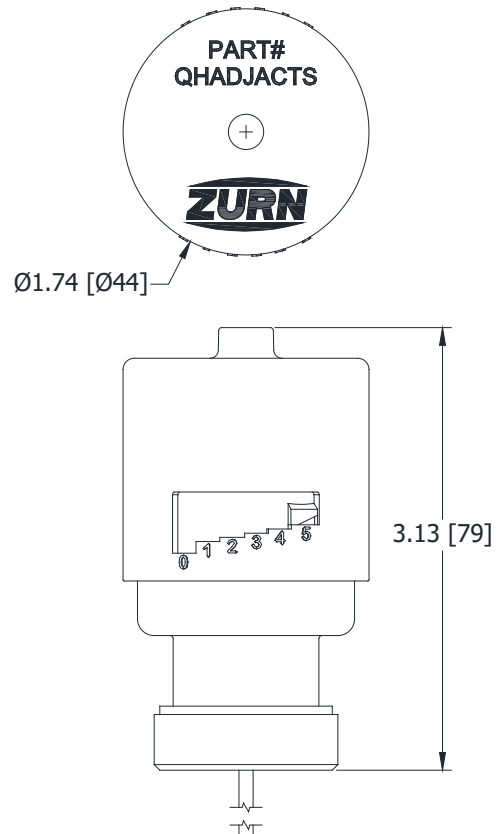
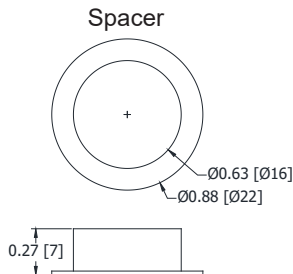
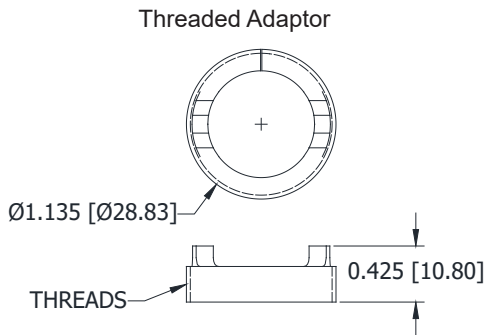
### QHADJACTS Features

- Actuator is normally closed powered open.
- Includes an Adjustable Unpowered Closed Position to adapt to the Zone Valve or Manifold Closed Position.
- Adjustability feature enables Actuator to be used with many Zone Valves and Manifolds on the Market.
- Has a Nickel Plated Brass Ring Nut with M30x1.5 female threads to attach to Zone Valve, Manifold or included adaptor.
- Power Supply is 24 Volts AC/DC, 50/60 Hz.
- Consumes 4 VA on start up and 1.8 VA during operation.
- Includes a Normally Open End Switch with Contact Capacity of 5A/125vac.
- Has a 39" long 4 wire Cable. Wires are 0.75mm<sup>2</sup> (approx 19 AWG). Blue and Brown wires are Power Supply, Black and Gray wires go to End Switch.
- Stroke is 4 mm (0.157 in) and Force is 140 N (31.47 Lbs).
- Ambient Air Operating Temperature is 36°F to 122°F.
- Includes a Manual Override Position to open and allow flow through the Zone Valve or Manifold Loop without powering the actuator.
- Includes a pop-up operating indicator.
- Can be mounted in any Position.



### Compatible with:

- QHPM- S- 1" Accuflow Stainless Steel Manifold
- QHPM- - 1" Accuflow Brass Preassembled Manifold
- QHAF- - 1" Accuflow Brass Supply/Return Header with Bracket
- QHMKIT6 - 1-1/4" QickZone Modular Manifold Kit
- QHMCM2 - 1-1/4" QickZone Supply/Return Central Module - 2 gpm
- QHCMKIT5 - 1" QickZone Modular Manifold Kit
- QHMCM - 1" QickZone Supply/Return Central Module - 1.31 gpm
- QHSZV - Zone Valve
- QHDV5 - 3 Way Diverter



**Dimensional Data (inches and [ mm ]) are Subject to Manufacturing Tolerances and Change Without Notice**

- ⚠ **WARNING:** Cancer and Reproductive Harm - [www.P65Warnings.ca.gov](http://www.P65Warnings.ca.gov)
- ⚠ **ADVERTENCIA:** Cáncer y daño reproductivo - [www.P65Warnings.ca.gov](http://www.P65Warnings.ca.gov)
- ⚠ **AVERTISSEMENT:** Cancer et effets néfastes sur la reproduction - [www.P65Warnings.ca.gov](http://www.P65Warnings.ca.gov)