

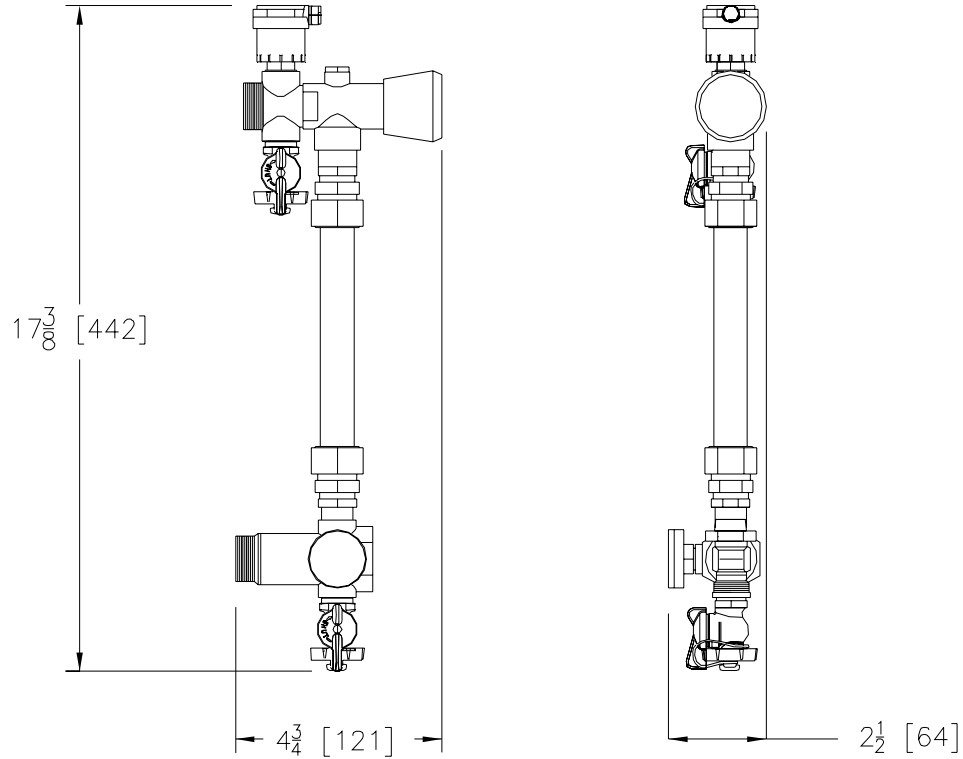


Injection Mixing Manifold Pressure ByPass Kit- QHMBPK

Specification Sheet

Tag _____

Dimensional Data: Inches and [mm] are subject to manufacturing tolerances and change without notice.



Engineering Specification: Zurn Pressure By-Pass Kit. Adjustable by-pass valve from 0 - 19 feet of head. By-Pass loop using 3/4" ZurnPEX® tubing. Kit shall also include air vent, fill/drain valves, and thermometer.

Accessories

- | | |
|-------------|---|
| ___ QHAF-2 | 2 Port 1" AccuFlow® Manifold with Bracket(s) |
| ___ QHAF-3 | 3 Port 1" AccuFlow® Manifold with Bracket(s) |
| ___ QHAF-4 | 4 Port 1" AccuFlow® Manifold with Bracket(s) |
| ___ QHAF-5 | 5 Port 1" AccuFlow® Manifold with Bracket(s) |
| ___ QHAF-6 | 6 Port 1" AccuFlow® Manifold with Bracket(s) |
| ___ QHAF-7 | 7 Port 1" AccuFlow® Manifold with Bracket(s) |
| ___ QHAF-8 | 8 Port 1" AccuFlow® Manifold with Bracket(s) |
| ___ QHAF-9 | 9 Port 1" AccuFlow® Manifold with Bracket(s) |
| ___ QHAF-10 | 10 Port 1" AccuFlow® Manifold with Bracket(s) |
| ___ QHAF-11 | 11 Port 1" AccuFlow® Manifold with Bracket(s) |
| ___ QHAF-12 | 12 Port 1" AccuFlow® Manifold with Bracket(s) |

Rev. B	Date: 05/01/09	C.N. No. 99954
Dwg. No. 83609		Prod. No. QHMBPK