

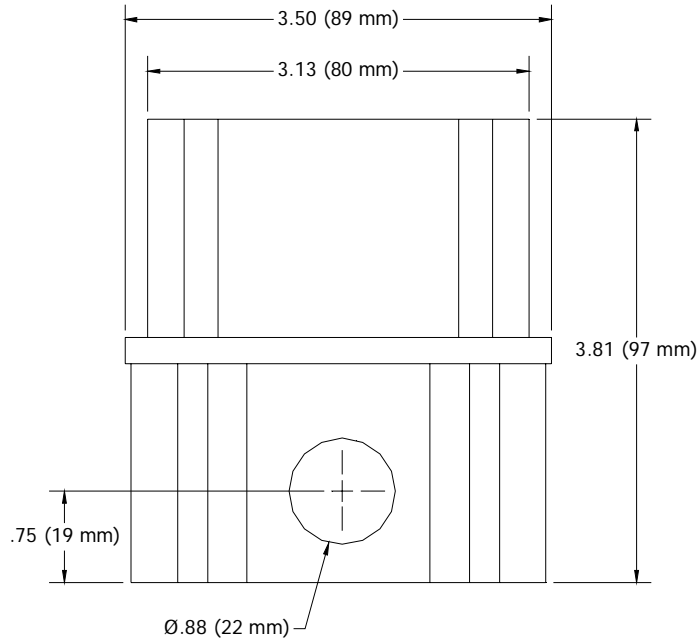


# Zurn PEX® Snow and Ice Melt Socket - QHSIS

## Specification Sheet

Tag \_\_\_\_\_

Dimensional Data: Inches and [mm] are subject to manufacturing tolerances and change without notice.



**Engineering Specification:** The Zurn PEX® Snow and Ice Melt Socket. The QHSIS is used to house the Snow and Ice Melt Detector (QHSID). The brass socket should be located directly in between two pieces of Zurn PEX tubing in the snow and ice melt slab. Also included is a mounting plate and a plastic plug, which is the same thickness as the QHSID sensor.

### Accessories

- \_\_\_ QHSID Snow and Ice Melt Detector
- \_\_\_ QHSIC Snow and Ice Melt Controller

Rev.	Date: 3/30/2010	C.N. No.110924
Dwg. No. 84527		Prod. No. QHSIS