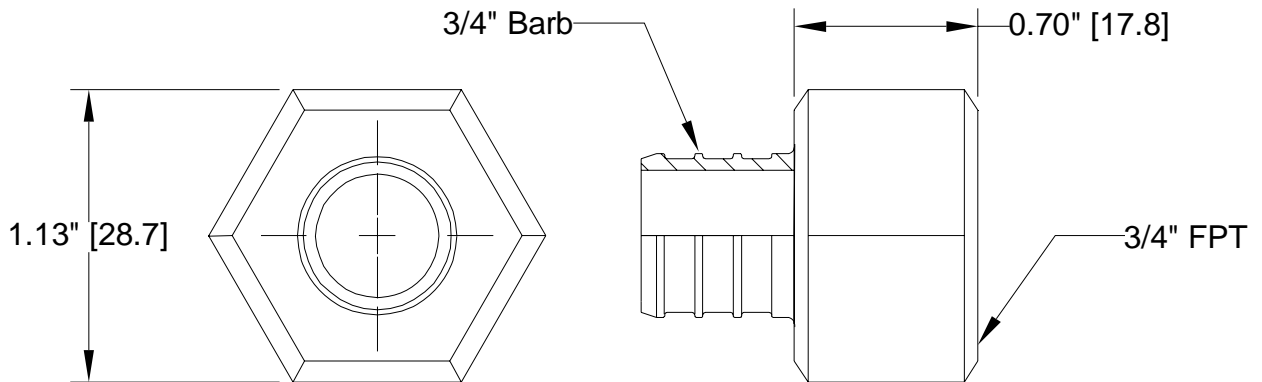




Zurn PEX® XL-Low Lead Brass Barb x Female Swivel Adapter - QQSFC44GX Specification Sheet

Tag _____

Dimensional Data: Inches and [mm] are subject to manufacturing tolerances and change without notice.



Engineering Specification: Zurn PEX® XL-Low Lead Brass Barb x Female Thread Swivel Adapter. The QQSFC44GX adapter is used to transition from PEX to male pipe threads. Manufactured from EcoBrass®, C69300. These fittings, as a system with Zurn PEX® tube, are pressure rated at 160 PSI at 73°F, 100 PSI at 180°F, and 80 PSI at 200°F. These fittings are listed by NSF as complying with the following standards: NSF/ANSI Standard 14, NSF/ANSI Standard 61 including Annex G, ASTM F877, CSA B137.5, and ASTM F1807.

Accessories

___ QCLP4X	3/4" QuickClamp® Crimp Ring
___ QCR4X	3/4" Copper Crimp Ring
___ QSOET4X	3/4" Stainless Steel Crimp Ring

Rev. A	Date: 2/22/10	C.N. No. 110738
Dwg. No. 83978		Prod. No. QQSFC44GX