

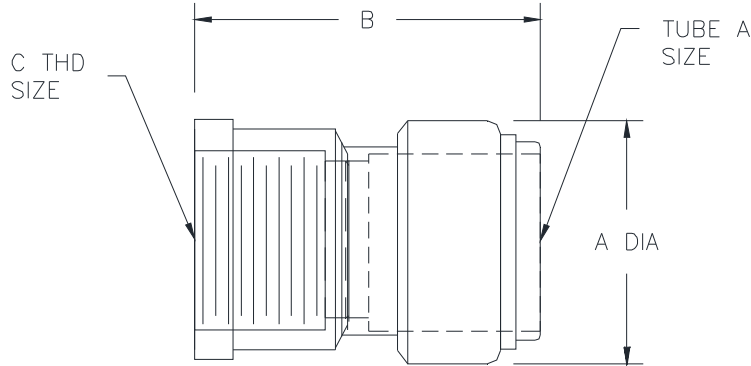


**QQZBUFC\_G**  
Z-Bite™ REDUCING FEMALE ADAPTER

SPECIFICATION SHEET

TAG \_\_\_\_\_

Dimensional Data (inches and [ mm ]) are Subject to Manufacturing Tolerances and Change Without Notice



Part Number	Dimensions in Inches [mm]					Bag Qty.	Carton Qty.
	Description	A Dia	Tube A Size	B	C THD Size		
QQZBUFC23G	Reducing Female Adapter - 3/8 Z-Bite X 1/2 THD Size	0.87 [22]	3/8	1.55 [39]	1/2	6	198
QQZBUFC33G	Female Adapter - 1/2 Z-Bite X 1/2 THD Size	1.07 [27]	1/2	1.62 [41]	1/2	12	120
QQZBUFC34G	Reducing Female Adapter - 1/2 Z-Bite X 3/4 THD Size	1.07 [27]	1/2	1.66 [42]	3/4	6	60
QQZBUFC44G	Female Adapter - 3/4 Z-Bite X 3/4 THD Size	1.35 [34]	3/4	1.85 [47]	3/4	6	60
QQZBUFC55G	Female Adapter - 1 Z-Bite X 1 THD Size	1.66 [42]	1	2.14 [54]	1	6	30

**ENGINEERING SPECIFICATION: QQZBUFC\_G**

Zurn Z-Bite™ Fittings are certified by IAPMO to meet the requirements of ASSE 1061 for Push Fittings, NSF Standard 61 for potable water applications and NSF Standard 372 for low lead. The fittings may be used with PEX, CPVC or copper tube sizes. The fittings comply with the requirements of the model plumbing codes for use in inaccessible locations. The grip ring is made from Type 304 stainless steel, the o-ring is a chloramine resistant EPDM and the integral tube stiffener for PEX is made from polysulfone. The brass body of the fitting is C46500 alloy.

**ACCESSORIES**

- \_\_\_\_ QQZBDC2      3/8 Disconnect Clip
- \_\_\_\_ QQZBDC3      1/2 Disconnect Clip
- \_\_\_\_ QQZBDC4      3/4 Disconnect Clip
- \_\_\_\_ QQZBDC5      1 Disconnect Clip
- \_\_\_\_ QQZBDBT      Depth Gage & Deburring Tool, 3/8, 1/2, 3/4, & 1

\* Regularly furnished unless otherwise specified.