

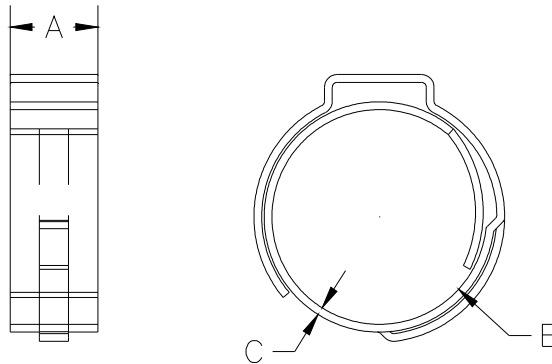


QSOET_X
STAINLESS STEEL CRIMP RING

SPECIFICATION SHEET

TAG _____

Dimensional Data (inches and [mm]) are Subject to Manufacturing Tolerances and Change Without Notice



Part Number	Nominal Size	Dimensions in In [mm]		
		A	B (ID)	C (Thk.)
QSOET2X	3/8"	0.276 [7]	0.524 [13]	0.024 [.6]
QSOETJX	5/8"	0.394 [10]	0.799 [20]	0.031 [.8]

Engineering Specification: Zurn® Stainless Steel Crimp Ring. Stainless Steel (Type 304) mechanical fastener used to secure ZurnPEX® tubing to Zurn Qick/Sert1™ fittings. Meets ASTM F2098.

Accessories

- ___ QSECR T Stainless Steel Crimp Ring Tool
- ___ QSECRTRM Ratcheting Stainless Steel Crimp Ring Tool