

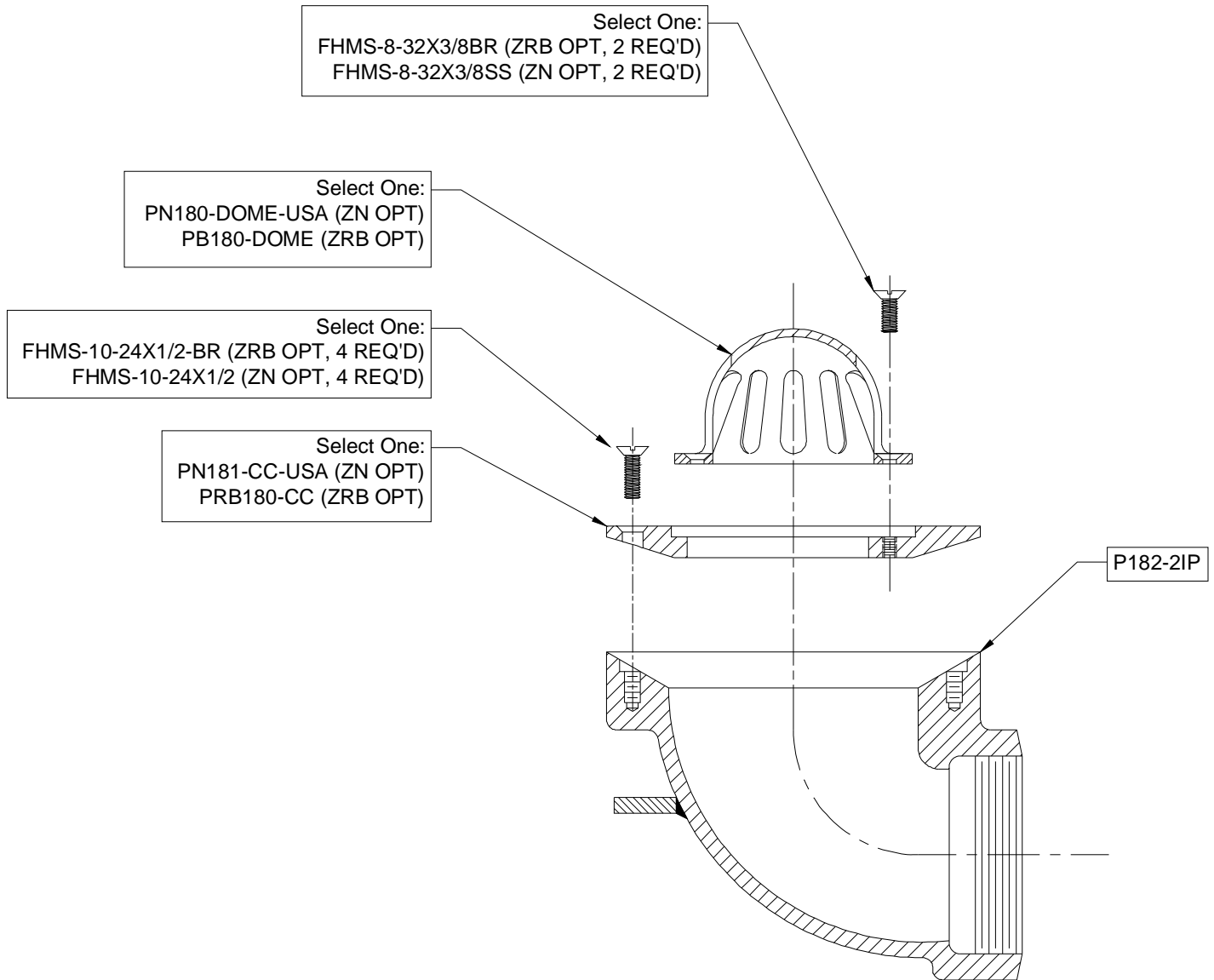


COMMON COMPONENTS

ZN/ZRB182

4-1/2 [114] DIAMETER CORNICE DRAIN 90° OUTLET W/ POLISHED NICKEL-BRONZE/PLAIN BRONZE DOME

Dimensional data (inches and [mm]) are subject to manufacturing tolerances and change without notice.



* Size determined by customer

Zurn Industries, LLC | Specification Drainage Operation
1801 Pittsburgh Avenue, Erie, PA U.S.A. 16502 · Ph. 855-663-9876, Fax 814-454-7929
In Canada | **Zurn Industries Limited**
3544 Nashua Drive, Mississauga, Ontario L4V 1L2 · Ph. 905-405-8272, Fax 905-405-1292
www.zurn.com

Rev. A
Date: 8/14/2018
C.N. No. 140424
Form # RD126

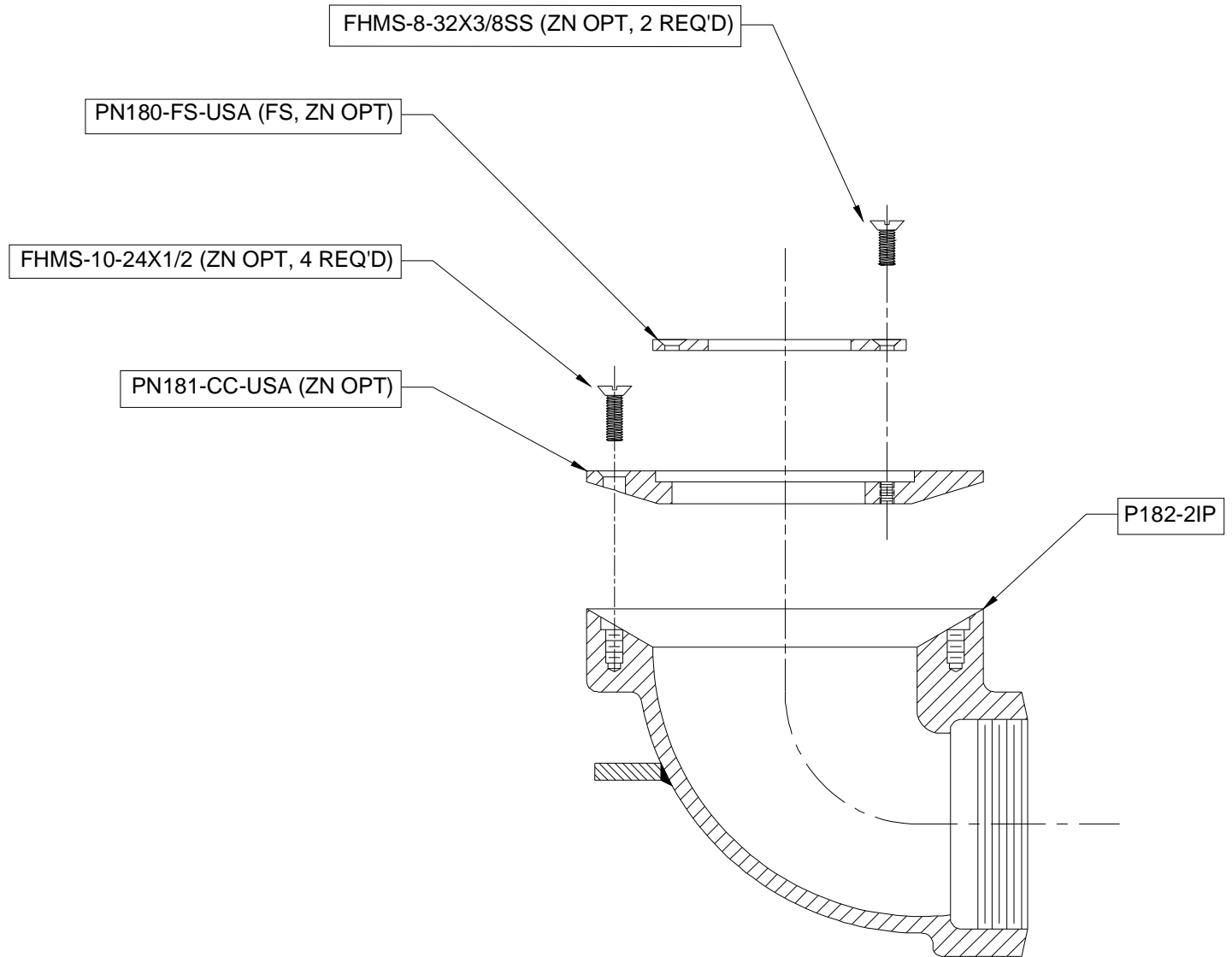


COMMON COMPONENTS

ZN182-FS

4-1/2 [114] DIAMETER CORNICE DRAIN 90° OUTLET W/ POLISHED NICKEL-BRONZE FLAT STRAINER

Dimensional data (inches and [mm]) are subject to manufacturing tolerances and change without notice.



* Size determined by customer