



# Model NR3XLEC

## Water Pressure Reducing Valve with Thermal Expansion Control Valve and Strainer

### Application

Ideal for use where Lead-Free\* valves are required. Designed for installation on potable water lines to reduce high inlet pressure to a lower outlet pressure. The balanced piston design enables the regulator to react in a smooth and responsive manner to changes in system flow demand, while at the same time, providing protection from inlet pressure changes. The expansion control feature allows excessive downstream pressure caused by thermal expansion to be vented to a safe disposal.



XL LEAD FREE



NSF/ANSI 61

### Standards Compliance

- ASSE® Listed 1003
- IAPMO® Listed
- CSA® Certified
- Meets the requirements of NSF/ANSI 61\*

\*(0.25% MAX. WEIGHTED AVERAGE LEAD CONTENT)

### Materials

Main valve body	Low Lead Cast Bronze	ASTM B 584
Fasteners	300 Series Stainless Steel	
Stem	Low Lead Brass	
Elastomers	Buna Nitrile, FDA(CFR) 21, 177.2600	EPDM, FDA(CFR) 21, 177.2600
Strainer screen	300 Series Stainless Steel	

### Options

(Suffixes can be combined)

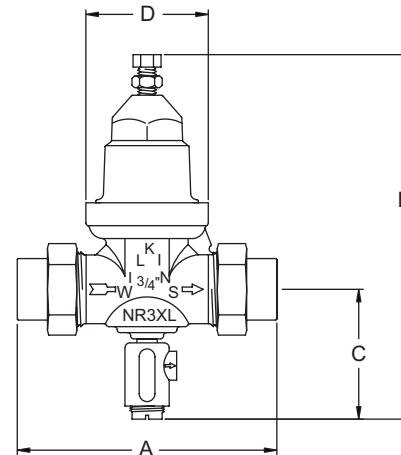
- standard with single union FNPT connection and 20 mesh strainer screen
- C - with FC (copper sweat) union connection
- DU - with double union connection, (FNPT)
- LU - with integral FNPT connection (no union)
- CPVC - CPVC tailpiece connection (3/4"-1")

### Accessories

- Repair kit

### Features

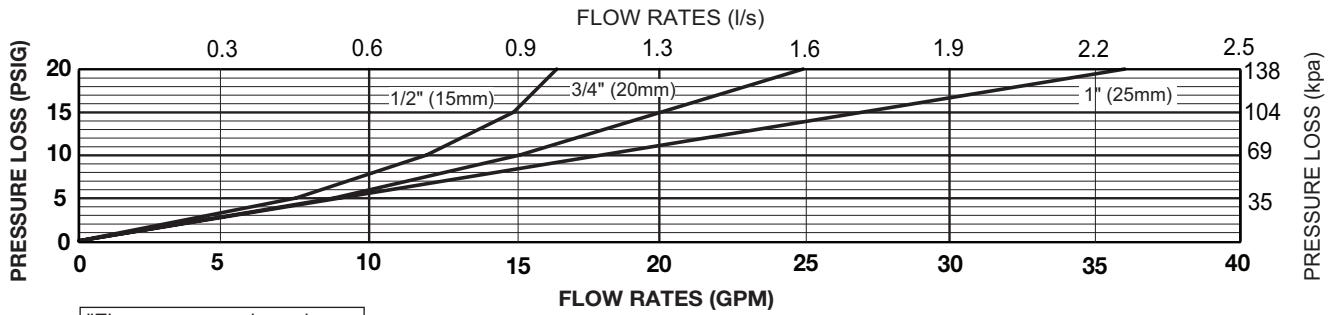
Sizes:	1/2", 3/4", 1"
Maximum working water pressure	400 psi
Minimum inlet pressure =	80 psi as per UPC Code
Maximum working water temperature	140°F
Reduced pressure range	15 psi to 75 psi
PRV factory preset	50 psi
Expansion control valve factory preset	125 psi
Threaded connections (FNPT)	ANSI B1.20.1
CPVC tailpiece: Max.hot water temp.	140°F @ 100 psi
Cold water rated temp.	73.4°F @ 400 psi
Copper connections (FC)	ANSI B16.22



### Dimensions & Weights (do not include pkg.)

SIZE		CONNECTIONS	DIMENSIONS (approximate)								WEIGHT	
			A		B		C		D		lbs.	kg.
in.	mm		in.	mm	in.	mm	in.	mm	in.	mm		
1/2	15	SINGLE UNION	4 3/8	111	7 7/8	200	2 3/4	70	2 1/2	64	3	1.5
1/2	15	LESS UNION	3 1/2	89	7 7/8	200	2 3/4	70	2 1/2	64	3	1.5
1/2	15	DOUBLE UNION	5 1/4	133	7 7/8	200	2 3/4	70	2 1/2	64	3	1.5
3/4	20	SINGLE UNION	4 4/9	113	7 7/8	200	2 3/4	70	2 1/2	64	3	1.5
3/4	20	LESS UNION	3 1/2	89	7 7/8	200	2 3/4	70	2 1/2	64	3	1.5
3/4	20	DOUBLE UNION	5 3/8	137	7 7/8	200	2 3/4	70	2 1/2	64	3	1.5
1	25	SINGLE UNION	5	125	9 3/8	238	2 13/16	72	3	76	4	2
1	25	LESS UNION	4	102	9 3/8	238	2 13/16	72	3	76	4	2
1	25	DOUBLE UNION	5 15/16	151	9 3/8	238	2 13/16	72	3	76	4	2

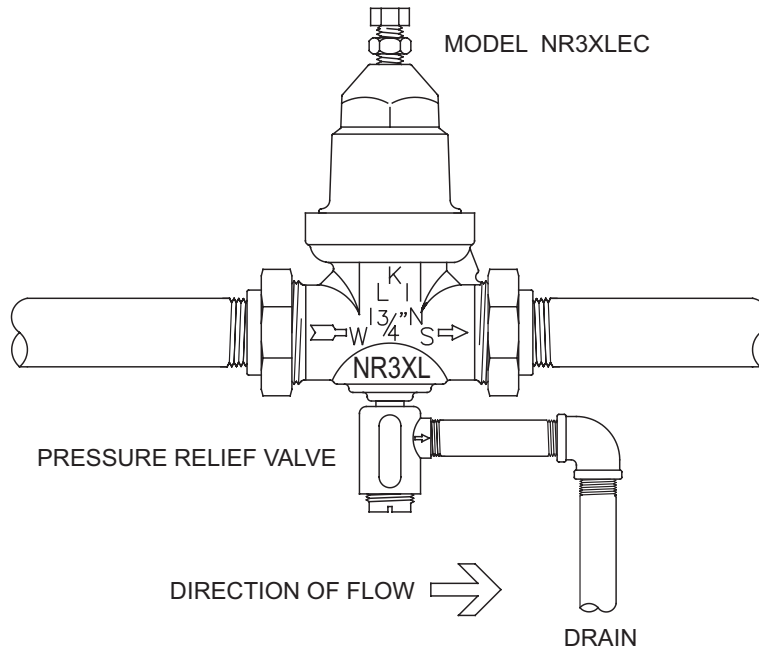
MODEL NR3XLEC 1/2" THRU 1" (STANDARD & METRIC)



"Flow curves are based on a 50 psi pressure differential"

Typical Installation

Local codes shall govern installation requirements. Unless otherwise specified, the assembly shall be mounted in accordance with the manufacturer's instructions and the latest edition of the Uniform Plumbing Code. The Model NR3XLEC may be installed in any position. Multiple installations are recommend for wide demand variations or where the desired pressure reduction is more than 4 to 1 (ie: 200 psi inlet reduced to 50 psi outlet). **Caution:** Anytime a reducing valve is adjusted, a pressure gauge must be used downstream to verify correct pressure setting. Do not bottom adjustment bolt on bell housing.



Typical Installation

Specifications

The Pressure Reducing Valve shall be certified to NSF/ANSI 61, ASSE® Listed 1003, and consist of a low lead bronze body and composite bell housing and shall have a bolt to adjust the downstream pressure. The pressure reducing valve shall be of the balanced piston design and shall reduce in both flow and no-flow conditions. The bell housing shall be threaded to the body and shall not require the use of ferrous screws. A thermal expansion control valve shall be an integral part of the pressure reducing valve. The Pressure Reducing/Expansion Control Valve shall be a ZURN WILKINS Model NR3XLEC.