



Model S

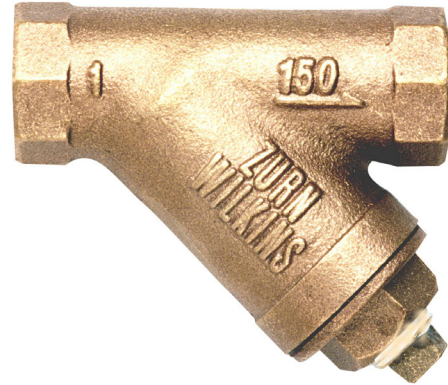
Cast Bronze "Y" Type Strainer

Application

Recommended for a variety of water service lines including residential and commercial irrigation, swimming pools and cooling tower water. They are also designed to protect delicate equipment such as regulators and backflow preventers by filtering sediment which could cause premature failure.

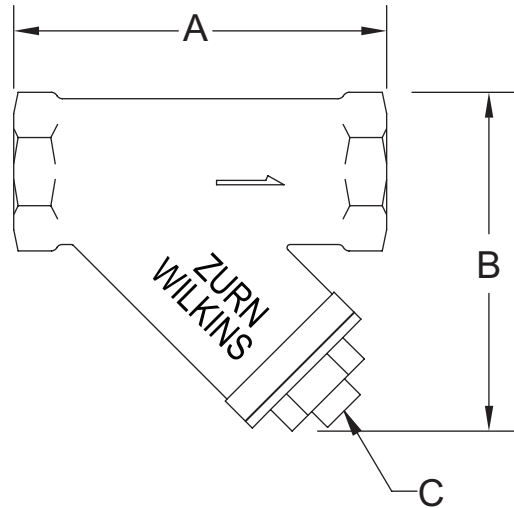
Materials

Main valve body Cast Bronze ASTM B 584
 Access covers Bronze ASTM B 584
 Screens 20 Mesh Stainless Steel, 300 Series



Features

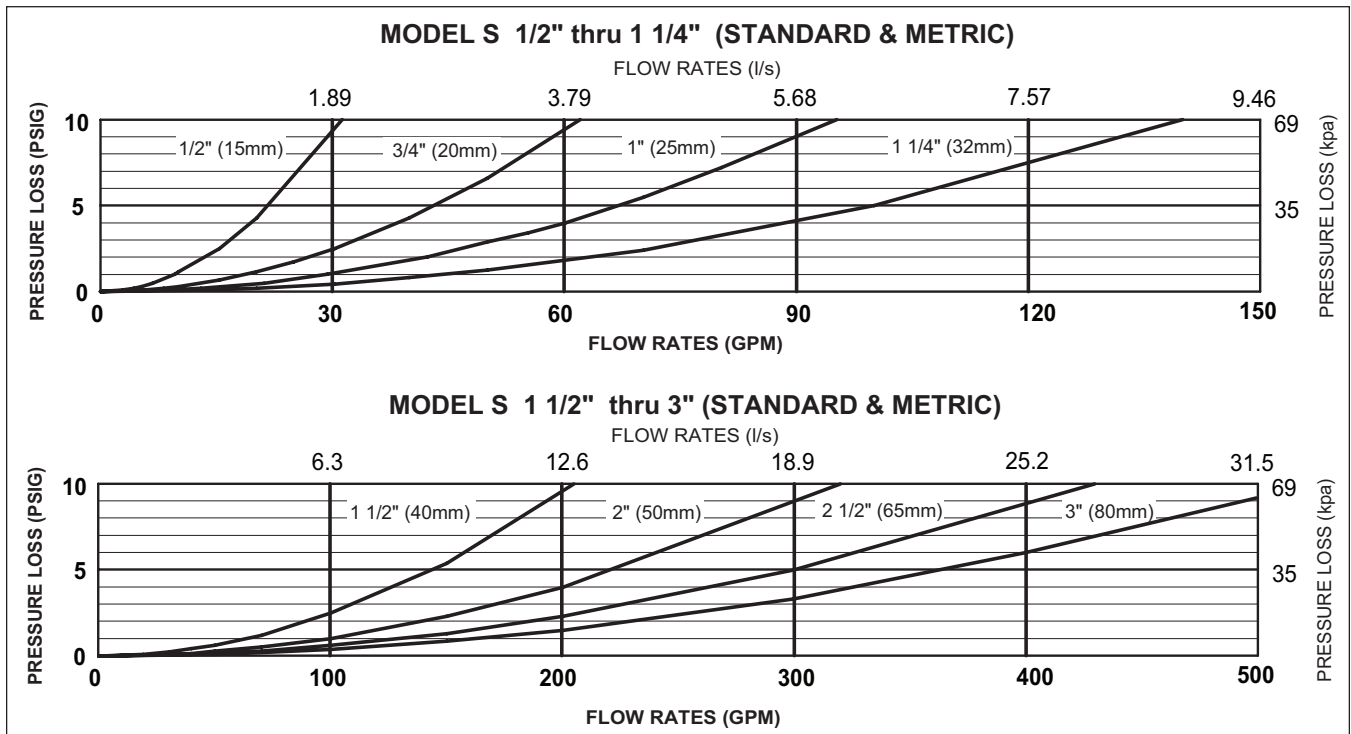
Sizes: 1/2", 3/4", 1", 1 1/4", 1 1/2", 2", 2 1/2", 3"
 Temperature/pressure rating 180°F
 300 psi WOG
 Threaded connections (FNPT) ANSI B1.20.1
 (Supplied with brass closure plug)



Dimensions & Weights (do not include pkg.)

SIZE		DIMENSIONS (approximate)					WEIGHT	
in.	mm	A		B		C	lbs.	kg
		in.	mm	in.	mm			
1/2	15	3 1/4	83	3	76	3/8 NPT	1	0.5
3/4	20	3 7/8	98	3 1/2	89	3/8 NPT	1 1/4	0.6
1	25	4 1/2	114	4	102	1/2 NPT	1 3/4	0.8
1 1/4	32	5 5/16	135	4 3/4	121	1/2 NPT	2 3/4	1.2
1 1/2	40	6 5/16	160	5	127	1/2 NPT	3 1/2	1.6
2	50	7 1/2	191	6	152	1/2 NPT	6	2.7
2 1/2	65	9	229	7 1/2	191	1/2 NPT	9 1/4	4.2
3	80	10	254	8 1/2	216	1/2 NPT	14	6.4

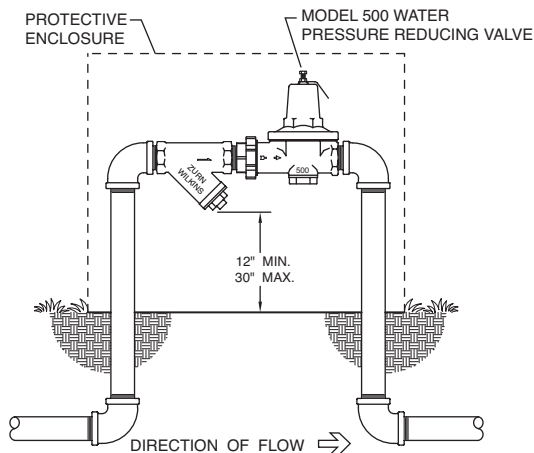
Flow Characteristics



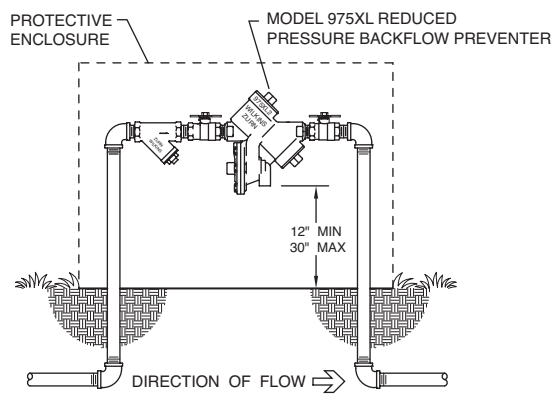
Typical Installation

Local codes shall govern installation requirements. Unless otherwise specified, the assembly shall be mounted in accordance with the latest edition of the Uniform Plumbing Code. If installed below grade, be certain adequate drainage is provided to prevent the device from being submerged. Horizontal installation with the strainer cap facing downward is the preferred installation orientation; however the strainer will provide protection in any orientation.

Pipe size	5 ft/sec	7.5 ft/sec	10 ft/sec	15 ft/sec
1/8"	1	1	2	3
1/4"	2	2	3	5
3/8"	3	4	6	9
1/2"	5	7	9	14
3/4"	8	12	17	25
1"	13	20	27	40
1 1/4"	23	35	47	70
1 1/2"	32	48	63	95
2"	52	78	105	167



OUTDOOR INSTALLATION



OUTDOOR INSTALLATION

Specifications

The "Y" type strainer shall be a manufactured import. The main body and cover shall be cast bronze (ASTM B 584), the strainer screen shall be 20 mesh 300 series stainless steel and accessible for maintenance without removing the device from the line. The "Y" type strainer shall be a ZURN WILKINS Model S.