



# Model: Z.L4.S

20" x 18" Wall Hung Lavatory

Zurn One Sensor Hand Washing System

TAG \_\_\_\_\_

### Architectural/Engineering Specification:

Complete sensor hand washing system includes 20"x18" vitreous china wall hung lavatory with Z6951-XL-F-TMV-1, ADA compliant, battery powered, chrome plated gooseneck sensor faucet with thermostatic mixing valve, Z8743-PC chrome plated cast brass solid top grid strainer, Z8700-8B-PC series P-trap, and Z8804-XL-LR-LK-PC series supply stop kit.



### Product Features:

- 20" [508 mm] x 18" [457 mm] vitreous china lavatory
- Wall hung lavatory provided with wall hanger bracket or for use with concealed arm carrier systems
- Front overflow
- Infrared convergence-type proximity sensor
- 30 second time out feature
- Chrome-plated Cast Brass faucet body
- Thermostatic mixing valve to help prevent scalding.
- Complete commercial grade grid drain, P-Trap, supply stops and supply kit.



### Zurn One System Packout Includes:

#### Lavatory - Z5341:

20" x 18" vitreous china wall hung lavatory with single faucet holes. Provided with hanger plate and holes for concealed arm carrier systems.

#### Faucet - Z6951-XL-F-TMV-1:

ADA compliant, battery powered, chrome plated sensor faucet with point of use thermostatic mixing valve to prevent scalding and a 0.5 gpm vandal-resistant non-aerated outlet.

#### Grid Drain - Z8743-PC:

Chrome plated cast brass solid top, open grid, P.O. plug. Furnished with 5" long, chrome plated brass 17 gauge tailpiece and chrome plated cast brass locknut.

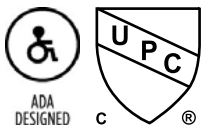
#### P-trap w/ Wall bend - Z8700-8B-PC :

Chrome-plated cast body 1 1/4" P-trap with cleanout, tubular wall bend, brass nuts and shallow escutcheon with compression inlet.

#### Lavatory Supply Stops - Z8804-XL-LR-LK-PC:

Chrome plated solid brass angle stop with 1/2" NOM compression inlet, 3/8" OD compression outlet, loose key, chrome plated copper riser tubes and chrome plated inlet flanges.

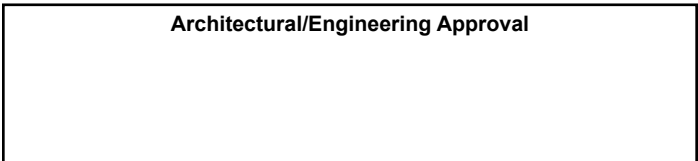
### Compliance and Certification:



Meets the American Disabilities Guidelines and ANSI A117.1 requirements when installed according to these requirements.

Fixture - Complies with ASME A119.2 / CSA B45.1

Faucet - Complies with ASME A112.18.1 / CSA B125.1



The information contained in this document is subject to change without notice. Please contact Zurn for most up to date information.



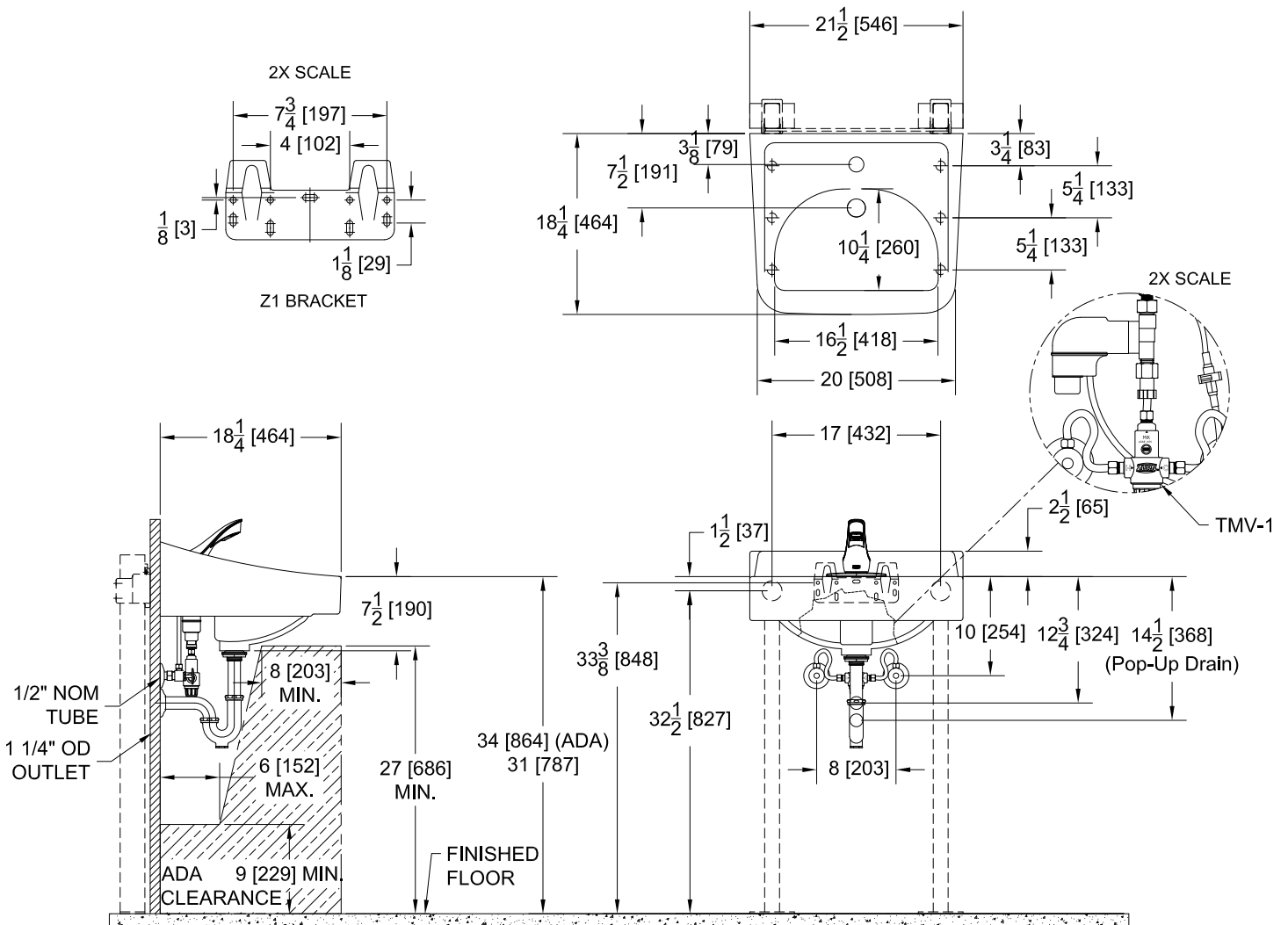
# Model: Z.L4.S

## 20" x 18" Wall Hung Lavatory

### Zurn One Sensor Hand Washing System

TAG \_\_\_\_\_

#### Rough-in Dimensions



Meets the American Disabilities Guidelines and ANSI A117.1 requirements when installed according to these requirements.

Fixture - Complies with ASME A119.2 / CSA B45.1

Faucet - Complies with ASME A112.18.1 / CSA B125.1