



# Model: Z.UR2.S

Zurn One Battery Powered Sensor Urinal System with 0.5 GPF EcoVantage® Flush Valve

TAG \_\_\_\_\_

### Architectural/Engineering Specification:

Complete EcoVantage® high efficiency 0.5 gpf sensor actuated, battery powered, wall mounted commercial urinal system with Z5755-U Omni-Flo top spud urinal, ZER6003AV-EWS-CPM exposed, sensor activated chrome plated urinal flushometer for either left or right hand supply manufactured by Zurn Industries.



### Product Features:

- 0.5 gpf (gallons per flush)
- Wall mounted extended rim top spud urinal
- High efficiency siphon washout flush action
- Integral trap
- Vitreous china wall urinal construction
- Diaphragm- type flushometer complete with Zurn's Go Blue® TPE, chloramine resistant, dual seal diaphragm with a clog resistant filtered by-pass.
- High pressure vacuum breaker
- Adjustable tailpiece
- Contol stop with internal siphon guard protection, vandal resistant cap, sweat solder kit and cast wall flange with set screw
- Asymmetric backwall for reduced splash back
- Oversized footprint to make retrofit easy
- Vandal resistant outlet strainer included
- 50% water savings over standard 1.0 gpf system



### Zurn One System Packout Includes:

#### Urinal - Z5755-U:

0.125 gpf to 1.0 gpf vitreous china, wall hung, integral trap, washdown urinal complete with 3/4" top spud connection, concealed universal retrofit wall bracket, 2" outlet connection and vandal resistant outlet strainer.

#### Flush Valve - ZER6003AV-EWS-CPM:

Exposed, quiet diaphragm-type, chrome plated flushometer valve with a polished exterior. Complete with Zurn's AquaVantage® TPE, chloramine resistant, dual seal diaphragm with a clog resistant, filtered bypass. The valve incorporates a 6VDC motor actuator, a battery powered automatic sensor, high impact resistant polycarbonate housing and chrome plated plastic cover with manual override push button and 10 degree angled sensor.

### Compliance and Certification:



This system complies with the Buy American Act: Fixture manufactured in China; Valve manufactured in US with US and foreign parts.

Meets the American Disabilities Guidelines and ANSI A117.1 requirements when installed according to these requirements.

Fixture - Complies with ASME A119.2 / CSA B45.1

Faucet - Complies with ASME A112.18.1 / CSA B125.1

### Architectural/Engineering Approval

The information contained in this document is subject to change without notice. Please contact Zurn for most up to date information.

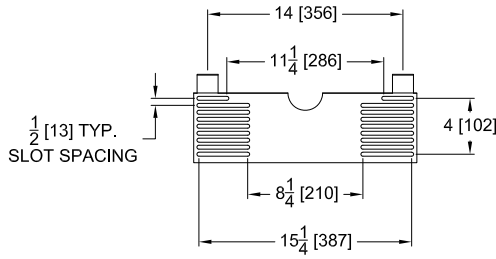


# Model: Z.UR2.S

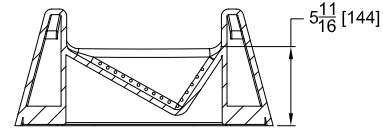
Zurn One Battery Powered Sensor Urinal System with 0.5 GPF EcoVantage® Flush Valve

TAG \_\_\_\_\_

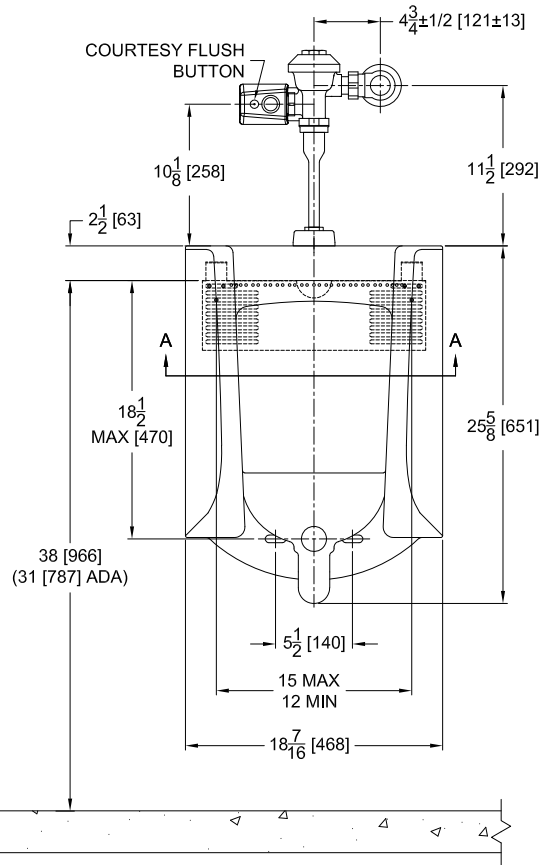
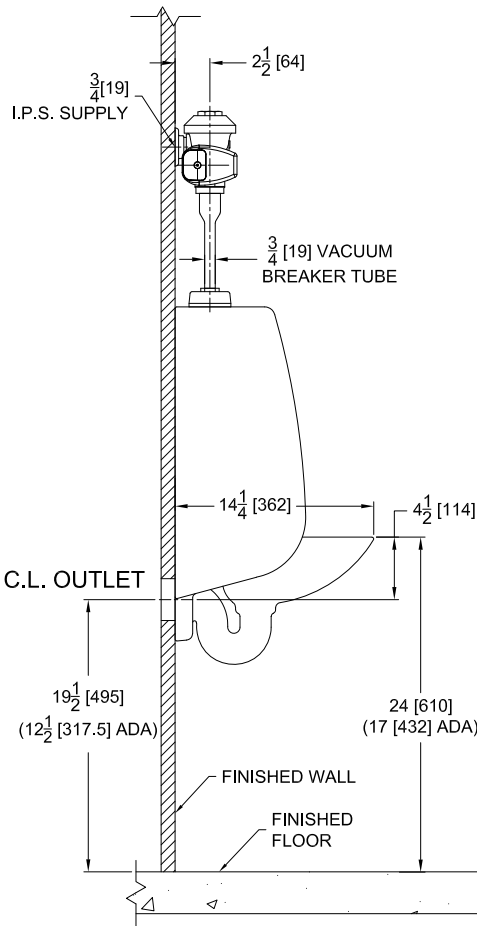
## Rough-in Dimensions



UNIVERSAL RETROFIT BRACKET (UB)



SECTION A-A



**This system complies with the Buy American Act:** Fixture manufactured in China; Valve manufactured in US with US and foreign parts.

Meets the American Disabilities Guidelines and ANSI A117.1 requirements when installed according to these requirements.

Fixture - Complies with ASME A119.2 / CSA B45.1

Faucet - Complies with ASME A112.18.1 / CSA B125.1

