



Model: Z.WC1.M

Zurn One Manual Wall Hung Toilet System with 1.1 GPF EcoVantage® Flush Valve

TAG _____

Architectural/Engineering Specification:

Complete EcoVantage® high efficiency 1.1 gpf manual actuated wall mounted commercial water closet system with Z6000AV-ONE exposed, manually activated chrome plated closet diaphragm flushometer for either left or right hand supply, Z5955SS-EL open front commercial toilet seat, Z5615-BWL wall mounted vitreous china water closet with Z5977-NEO NeoSeal outlet sealing gasket assembly kit and Z5610-NUT-EXT-KIT manufactured by Zurn Industries.



Product Features:

- 1.1 gpf (gallons per flush)
- Wall mounted elongated front rim top spud toilet
- High efficiency siphon jet flush action
- 2-1/8" fully glazed trapway
- Large water spot - 12' x 10'
- Vitreous china wall bowl construction
- Static weight load of 1000 lb*
- Diaphragm-type flushometer complete with Zurn's Go Blue® TPE, chloramine resistant, dual seal diaphragm with a clog resistant filtered by-pass.
- ADA compliant, non-hold open, dual seal handle
- High pressure vacuum breaker
- Adjustable tailpiece
- Contol stop with internal siphon guard protection, vandal resistant cap, sweat solder kit and cast wall flange with set screw
- Open front, elongated, white commercial toilet seat with SS check hinges
- NeoSeal® outlet gasket assembly
- 14% water savings over standard 1.28 gpf system
- 31% water savings over standard 1.6 gpf system

Recommended Carrier:

Z1201 or **Z1202 EZCarry™** 500 lbs load rated High Efficiency Carrier

Compliance and Certification:



This system complies with the Buy American Act: Fixture manufactured in China; Valve manufactured in US with US and foreign parts.

Meets the American Disabilities Guidelines and ANSI A117.1 requirements when installed according to these requirements.

Fixture - Complies with ASME A119.2 / CSA B45.1

Faucet - Complies with ASME A112.18.1 / CSA B125.1

Zurn One System Packout Includes:

Water Closet - Z5615-BWL:

Vitreous China, 1.1 gpf [4.2 Lpf] or greater high efficiency wall hung toilet with siphon jet flushing action and elongated front rim with 1-1/2" top spud.

Flush Valve - Z6000AV-ONE:

Exposed, quiet diaphragm-type, chrome plated flushometer valve with a polished exterior. Complete with Zurn's AquaVantage® TPE, chloramine resistant, dual seal diaphragm with a clog resistant, filtered bypass. The valve is ADA compliant with a non-hold open and no leak handle feature. Internal seals are made of chloramine resistant materials.

Z5955SS-EL:

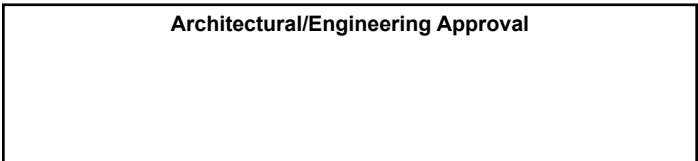
Elongated, open front white toilet seat with stainless steel check hinges

Z5610-NUT-EXT-KIT:

Retrofit nut kit for extending carrier studs from existing wall

Z5977-NEO:

NeoSeal® gasket kit for wall mounted bowls



The information contained in this document is subject to change without notice. Please contact Zurn for most up to date information.

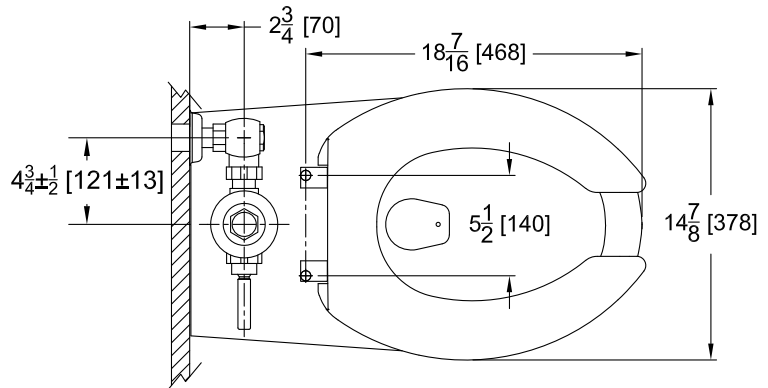
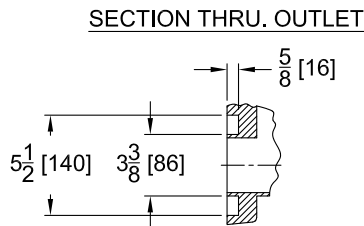


Model: Z.WC1.M

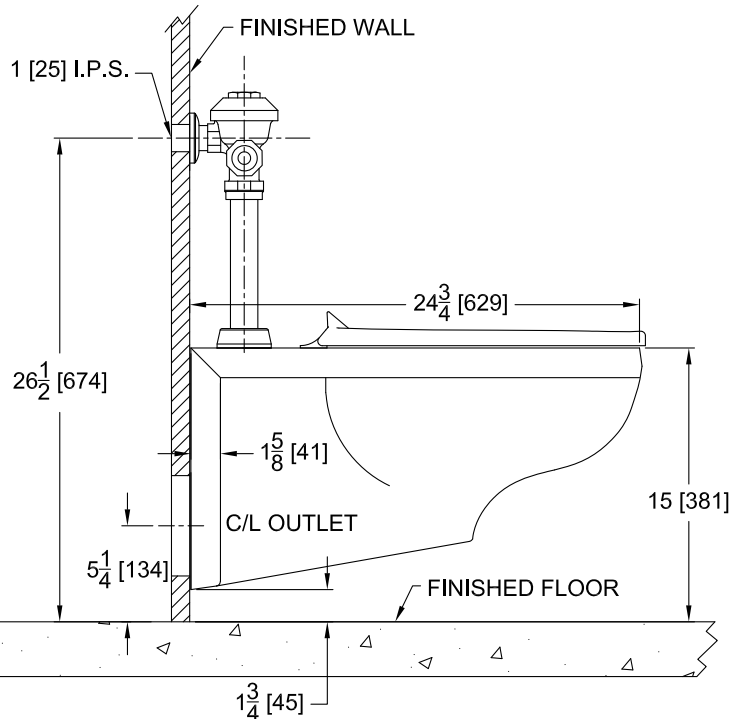
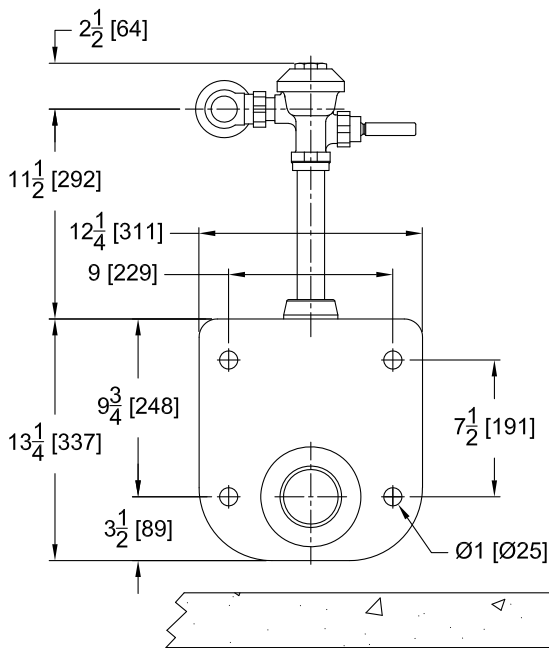
Zurn One Manual Wall Hung Toilet System with
1.1 GPF EcoVantage® Flush Valve

TAG _____

Rough-in Dimensions



BACK VIEW OF FLANGE



*Note: For ADA compliance, top of seat height should be installed at 17"-19" from finished floor.

This system complies with the Buy American Act: Fixture manufactured in China; Valve manufactured in US with US and foreign parts.

Meets the American Disabilities Guidelines and ANSI A117.1 requirements when installed according to these requirements.

Fixture - Complies with ASME A119.2 / CSA B45.1

Faucet - Complies with ASME A112.18.1 / CSA B125.1