



# Model: Z.WC4.M

Zurn One Manual Floor Mounted Toilet System with 1.28 GPF EcoVantage® Flush Valve

TAG \_\_\_\_\_

### Architectural/Engineering Specification:

Complete EcoVantage® high efficiency 1.28 gpf manual actuated floor mounted commercial water closet system with Z6000AV-HET exposed, manually activated chrome plated closet flushometer for either left or right hand supply, Z5955SS-EL open front commercial toilet seat and Z5655-BWL1 floor mounted vitreous china water closet with Z5972-COMB closet flange outlet gasket assembly kit manufactured by Zurn Industries.



### Product Features:

- 1.28 gpf (gallons per flush)
- Floor mounted elongated front rim top spud toilet
- High efficiency siphon jet flush action
- 2-1/8" fully glazed trapway
- Large water spot - 12' x 10'
- Vitreous china wall bowl construction
- Diaphragm- type flushometer complete with Zurn's Go Blue® TPE, chloramine resistant, dual seal diaphragm with a clog resistant filtered by-pass.
- Non-hold open, dual seal handle
- High pressure vacuum breaker
- Adjustable tailpiece
- Control stop with internal siphon guard protection, vandal resistant cap, sweat solder kit and cast wall flange with set screw
- Open front, elongated, white commercial toilet seat with SS check hinges
- 20% water savings over standard 1.6 gpf system

### Zurn One System Packout Includes:

#### Water Closet - Z5655-BWL1:

Vitreous China, floor mounted, bottom outlet toilet with siphon jet flushing action and elongated front rim with 1-1/2" spud. This bowl is designed to perform to industry standards with as little as 1.1 gallons per flush.

#### Flush Valve - Z6000AV-HET:

Exposed, quiet diaphragm-type, chrome plated flushometer valve with a polished exterior. Complete with Zurn's AquaVantage® TPE, chloramine resistant, dual seal diaphragm with a clog resistant, filtered bypass. The valve is ADA compliant with a non-hold open and no leak handle feature. Internal seals are made of chloramine resistant materials.

#### Z5955SS-EL:

Elongated, open front white toilet seat with stainless steel check hinges

#### Z5972-COMB:

Closet bolt/wax ring kit

### Compliance and Certification:

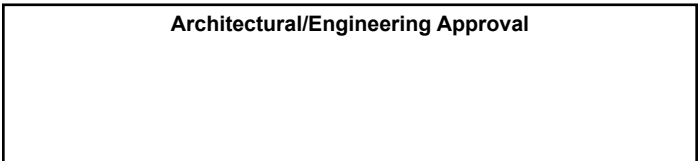


This system complies with the Buy American Act: Fixture manufactured in China; Valve manufactured in US with US and foreign parts.

Meets the American Disabilities Guidelines and ANSI A117.1 requirements when installed according to these requirements.

Fixture - Complies with ASME A119.2 / CSA B45.1

Faucet - Complies with ASME A112.18.1 / CSA B125.1



The information contained in this document is subject to change without notice. Please contact Zurn for most up to date information.

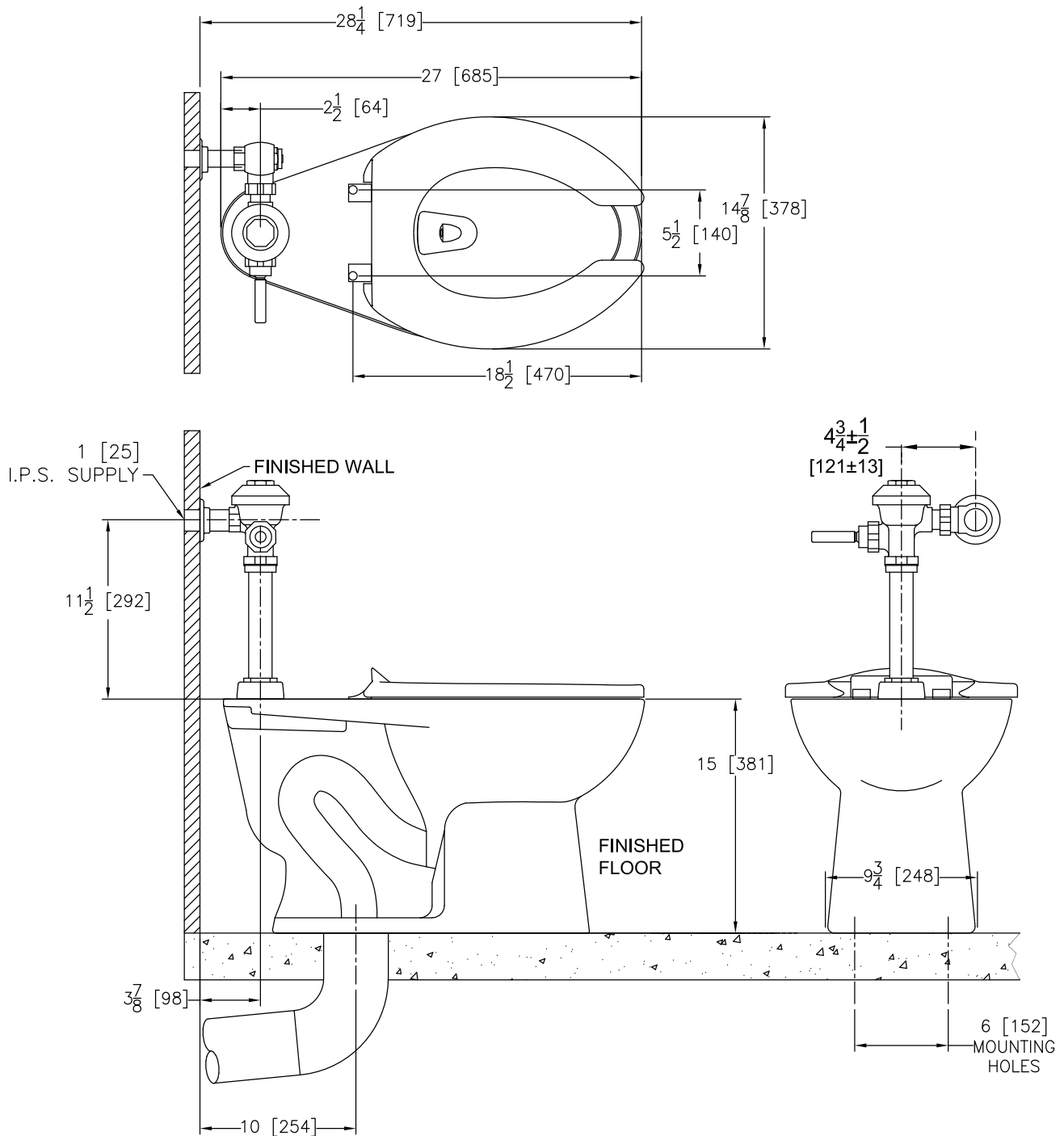


# Model: Z.WC4.M

Zurn One Manual Floor Mounted Toilet System with  
1.28 GPF EcoVantage® Flush Valve

TAG \_\_\_\_\_

## Rough-in Dimensions



**This system complies with the Buy American Act:** Fixture manufactured in China; Valve manufactured in US with US and foreign parts.

Meets the American Disabilities Guidelines and ANSI A117.1 requirements when installed according to these requirements.

Fixture - Complies with ASME A119.2 / CSA B45.1

Faucet - Complies with ASME A112.18.1 / CSA B125.1