

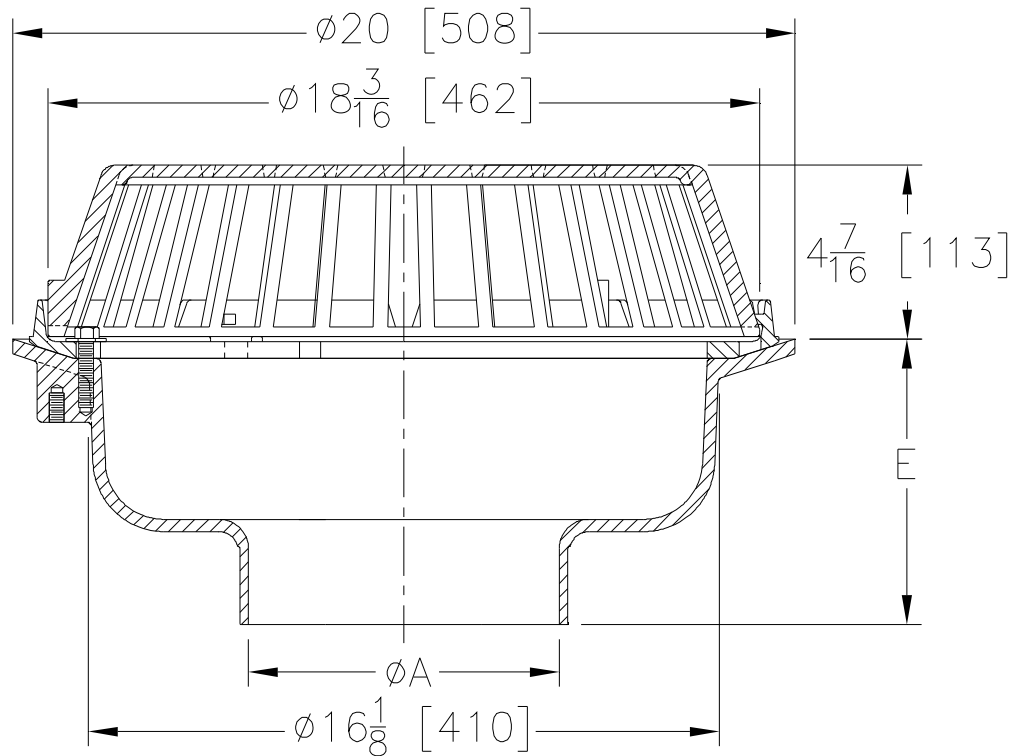


Z101
 HIGH CAPACITY 20 [508] DIAMETER MAIN
 ROOF DRAIN LOW SILHOUETTE DOME

SPECIFICATION SHEET

TAG _____

Dimensional Data (inches and [mm]) are Subject to Manufacturing Tolerances and Change Without Notice



A- Pipe Size In. [mm]	Approx. Wt. Lbs. [kg]	Dome Open Area Sq. In. [cm ²]
8 [203]	77 [35]	216 [1394]
10 [245]	78 [35]	
12 [305]	79 [36]	

ENGINEERING SPECIFICATION: ZURN Z101
 20" [508mm] Diameter roof drain. Dura-Coated cast iron body with combination membrane flashing clamp/gravel guard and low silhouette dome.

PIPE SIZE
 8, 10, 12 [203, 254, 305]

(Specify size) **OUTLET**
 _____ NH No-Hub

'E' BODY HT. DIM.
 7-5/16 [185]

PREFIXES
 _____ Z D.C.C.I. Body with Cast Iron Dome*

SUFFIXES

_____ -AR	Acid Resistant Epoxy Coated	_____ -W2	2 [51] Internal Water Dam
_____ -C	Underdeck Clamp	_____ -W3	3 [76] Internal Water Dam
_____ -DP	Top-Set® Roof Deck Plate (Replaces both the -C and -R)	_____ -W4	4 [102] Internal Water Dam
_____ -E	Static Extension 1 [25] thru 4 [102] (Specify Height)	_____ -89	2 [51] High External Water Dam
_____ -EB	Top-Set® Adjustable Extension Assembly		
_____ -G	Galvanized Cast Iron		
_____ -R	Roof Sump Receiver		

* Regularly furnished unless otherwise specified.