

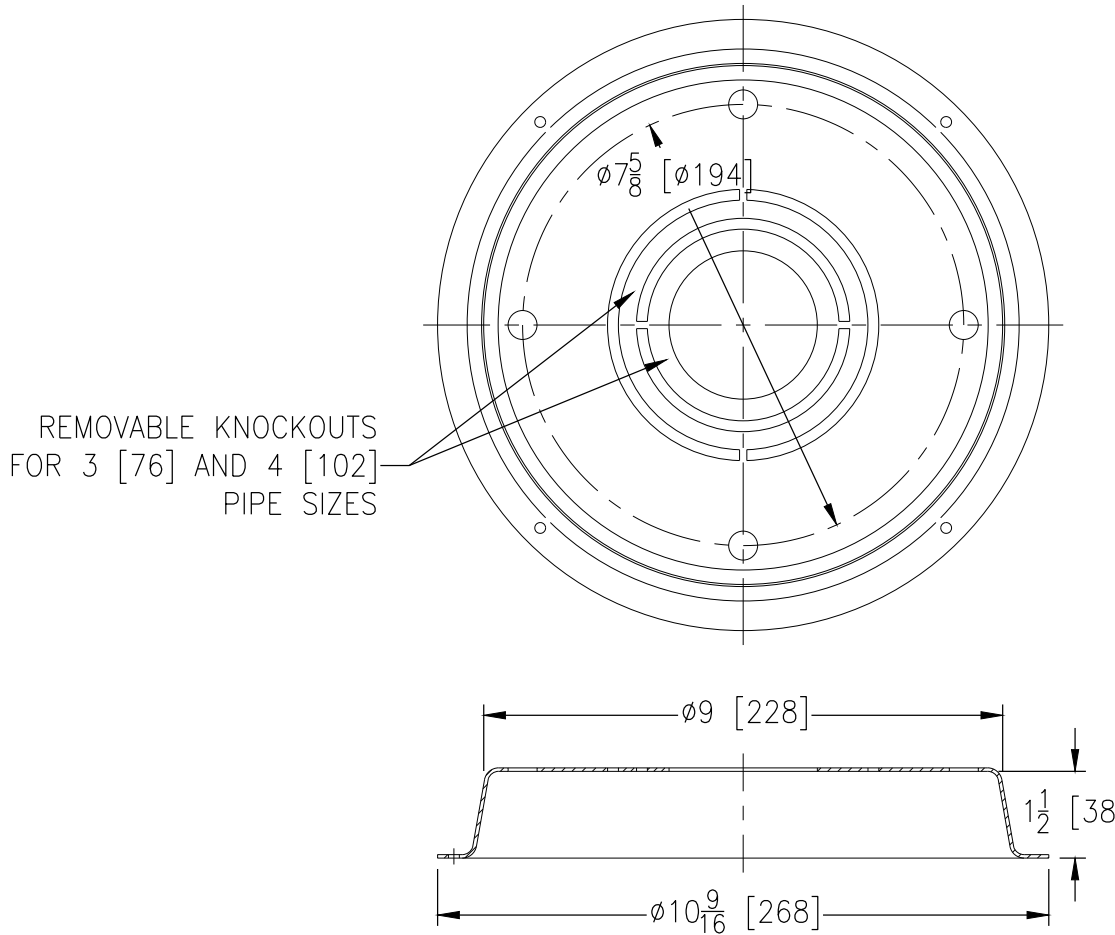


**Z1035**  
FLOOR DRAIN INSTALLATION STABILIZER

SPECIFICATION SHEET

TAG \_\_\_\_\_

Design and Dimensional Data (inches and [ mm ]) are Subject to Manufacturing Tolerances and Change Without Notice



Pipe Size In.	Pipe Opening Dia.
2 [51]	2-9/16 [65]
3 [76]	3-11/16 [94]
4 [102]	4-11/16 [119]

**ENGINEERING SPECIFICATION: ZURN Z1035**

Drain Installation Stabilizer. #20 Gage galvanized steel plate with variable pipe opening, four support stud holes, and four nail holes. Complete with hardware bag containing four 3/8-16 x 12 [305] long studs and eight 3/8-16 flanged locknuts.

**NOTE:** 7-5/8 [193] dia. stud holes used to accomodate 8-3/8 [213] dia. drain body.  
(To be used with No-Hub and Neo-Loc outlet connections only).

\*\* For Typical Installation - See Form# FD72

- ⚠ **WARNING:** Cancer and Reproductive Harm - [www.P65Warnings.ca.gov](http://www.P65Warnings.ca.gov)
- ⚠ **ADVERTENCIA:** Cáncer y daño reproductivo - [www.P65Warnings.ca.gov](http://www.P65Warnings.ca.gov)
- ⚠ **AVERTISSEMENT:** Cancer et effets néfastes sur la reproduction - [www.P65Warnings.ca.gov](http://www.P65Warnings.ca.gov)

Zurn Industries, LLC | Specification Drainage Operation  
1801 Pittsburgh Avenue, Erie, PA 16502, Ph. 855.663.9876

In Canada | Zurn Industries Limited  
7900 Goreway Drive, Unit 10, Brampton, Ontario L6T 5W6, Ph. 877.892.5216

[www.zurn.com](http://www.zurn.com)

Rev. E  
Date: 12/29/2022  
C.N. No. 144898  
Patent [zurn.com/patents](http://zurn.com/patents)  
Prod. | Dwg. No. Z1035