



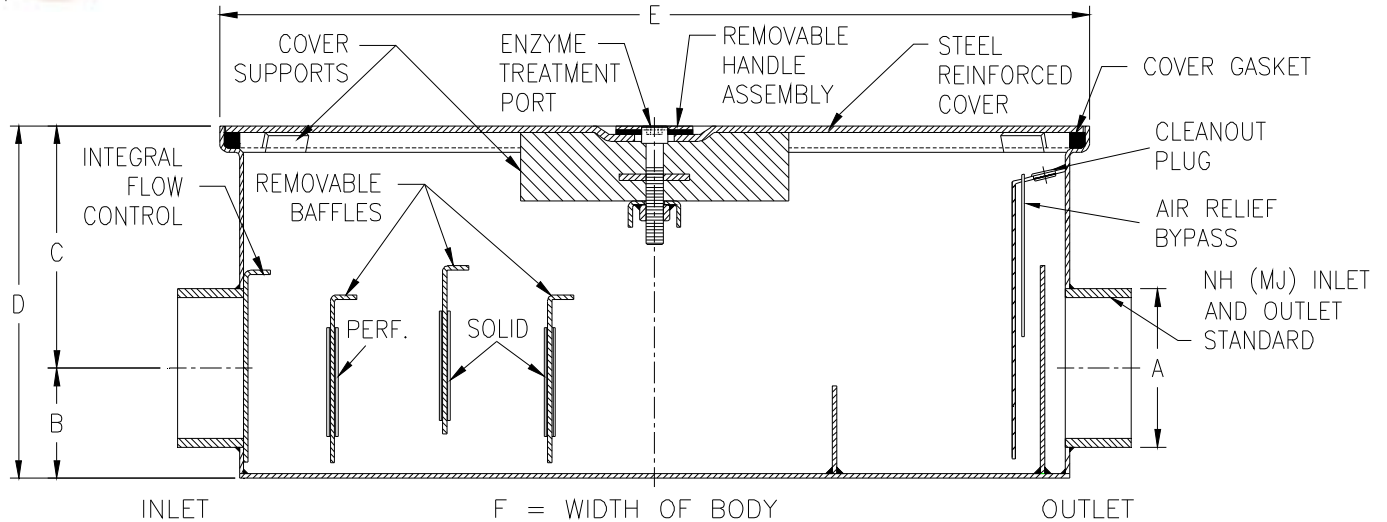
# Z1171

## LOW PROFILE GREASE INTERCEPTOR

SPECIFICATION SHEET

TAG \_\_\_\_\_

Dimensional Data (inches and [ mm ]) are Subject to Manufacturing Tolerances and Change Without Notice



Size	Inlet / Outlet Size A	Flow Rate GPM / [LPM]	Capacity Grease Lbs. / [Kg]	Approx. Weight Lbs. / [Kg]	Dimensions In Inches / [mm]				
					B	C	D	E	F
500	3 [76]	20 [76]	40 [18]	93 [42]	3-1/8 [79]	6-7/8 [175]	10-1/8 [257]	31-3/8 [797]	21-1/2 [546]
700	4 [102]	35 [132]	70 [32]	147 [67]	3-3/8 [86]	7-1/2 [191]	10-7/8 [276]	42-5/8 [1083]	28-7/8 [733]
800	4 [102]	50 [189]	100 [45]	250 [113]	3-3/8 [86]	7-1/2 [191]	10-7/8 [276]	46-5/8 [1184]	28-7/8 [733]

**ENGINEERING SPECIFICATION: ZURN Z1171**

Dura-Coated interior and exterior fabricated steel low type grease interceptor, PDI rated at \_\_\_\_ GPM and \_\_\_\_ Lbs. grease capacity, with internal air relief by-pass, bronze cleanout plug and trap seal with removable combination pressure equalizing/flow diffusing baffles. Gasketed secured cover complete with integral flow control.

**Note:** Solids should not be permitted to enter a grease interceptor.  
Where solids are present, use a Zurn Solids Interceptor.

**OPTIONS** (Check/specify appropriate options)

**PREFIXES**

- \_\_\_ Z Dura-Coated Fabricated Steel\*
- \_\_\_ ZS All Type 304 Fabricated Stainless Steel w/ Aluminum Cover
- \_\_\_ ZSS All Type 304 Fabricated Stainless Steel w/ Stainless Steel Cover

**SUFFIXES**

- \_\_\_ -AR Acid Resistant Coated Fabricated Steel.
- \_\_\_ -DI Dual Inlet
- \_\_\_ -EP Enzyme Port in Cover
- \_\_\_ -L External Flow Control

<b>REV. B</b>	<b>DATE: 4/16/12</b>	<b>C.N. NO. 121628</b>
<b>DWG. NO. 65072</b>	<b>PRODUCT NO. Z1171</b>	

\*REGULARLY FURNISHED UNLESS OTHERWISE SPECIFIED