



Z1187-SI SAND INTERCEPTOR

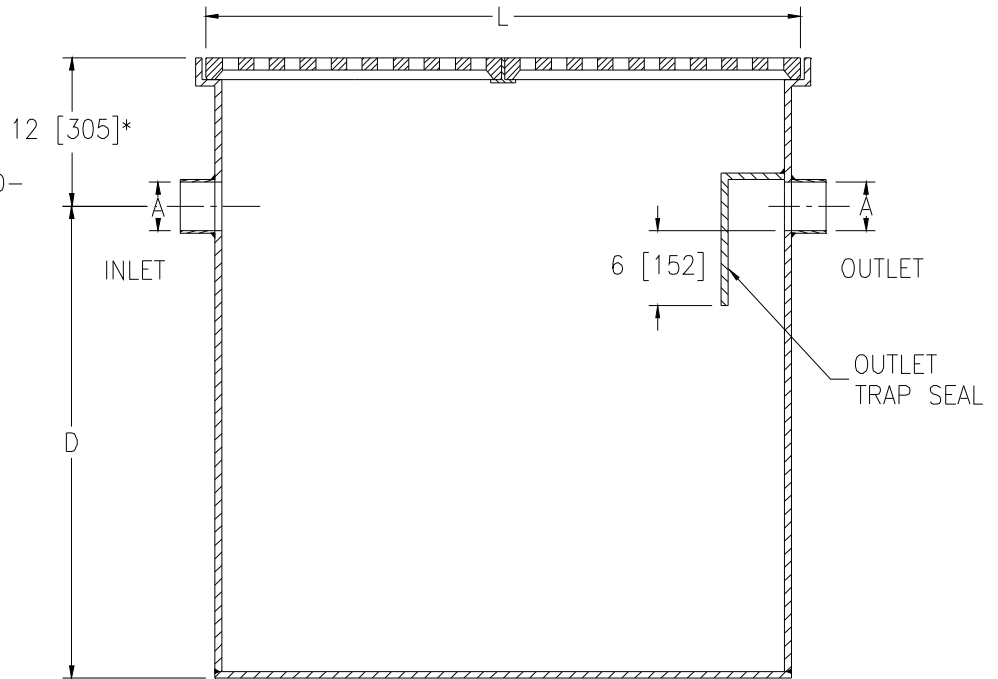
SPECIFICATION SHEET

TAG _____



Dimensional Data (inches and [mm]) are Subject to Manufacturing Tolerances and Change Without Notice

*12[305] REGULARLY FURNISHED—
SPECIFY DIMENSION IF HIGHER
OR LOWER IS REQUIRED.



Dimensions in Inches (mm)								
Size	Flow G.P.M. [LPM] (MAX.)	A Inlet/Outlet Size	L	D	Capacity Gal. [L]	No. of 12x24 [305x610] (Static)	Width Grates	Approx. Wt. Lbs. [Kg.]
20	20 [76]	4 [102]	24 [610]	26 [660]	60 [227]	2	24 [610]	133 [60]
50	50 [189]	4 [102]	48 [1219]	26 [660]	120 [454]	4	24 [610]	204 [92]
150	150 [568]	4 [102]	48 [1219]	38 [965]	360 [1363]	8	48 [1219]	368 [167]
250	250 [946]	6 [152]	72 [1829]	39 [991]	540 [2044]	12	48 [1219]	1294 [587]
500	500 [1893]	6 [152]	120 [3058]	51 [1295]	1200 [4542]	20	48 [1219]	2204 [1000]

ENGINEERING SPECIFICATION: ZURN Z1187-SI

Dura Coated interior and exterior fabricated steel sand interceptor with No-Hub inlet and outlet, complete with removable heavy-duty grates.

OPTIONS (Check/specify appropriate options)

Note: Location of outlet from bottom of interceptor cannot be changed

PREFIXES

___ Z Dura Coated Fabricated Steel*

SUFFIXES

- ___ -AR Acid Resistant Epoxy Coated Finish
- ___ -E Integral Extension Assembly (Specify extension height)
- ___ -DG Duresist Grate
- ___ -SC Heavy-Duty Reinforced Solid Cover(s) rated at 10,000 lbs. [4536 Kg.] maximum safe live load.
- ___ -VP Vandal-Proof Screws

REV. A	DATE: 4/16/12	C.N. NO. 121679
DWG. NO. 63878	PRODUCT NO. Z1187-SI	

*REGULARLY FURNISHED UNLESS OTHERWISE SPECIFIED