



Z1201-ND4-XB

BARIATRIC BACK-TO-BACK CARRIER - 1000 lbs [454kg]
EZCARRY® ADJUSTABLE HORIZONTAL HIGH PERFORMANCE
SIPHON JET NO-HUB WATER CLOSET CARRIER SYSTEM

SPECIFICATION SHEET

TAG _____

**PATENT
PENDING**

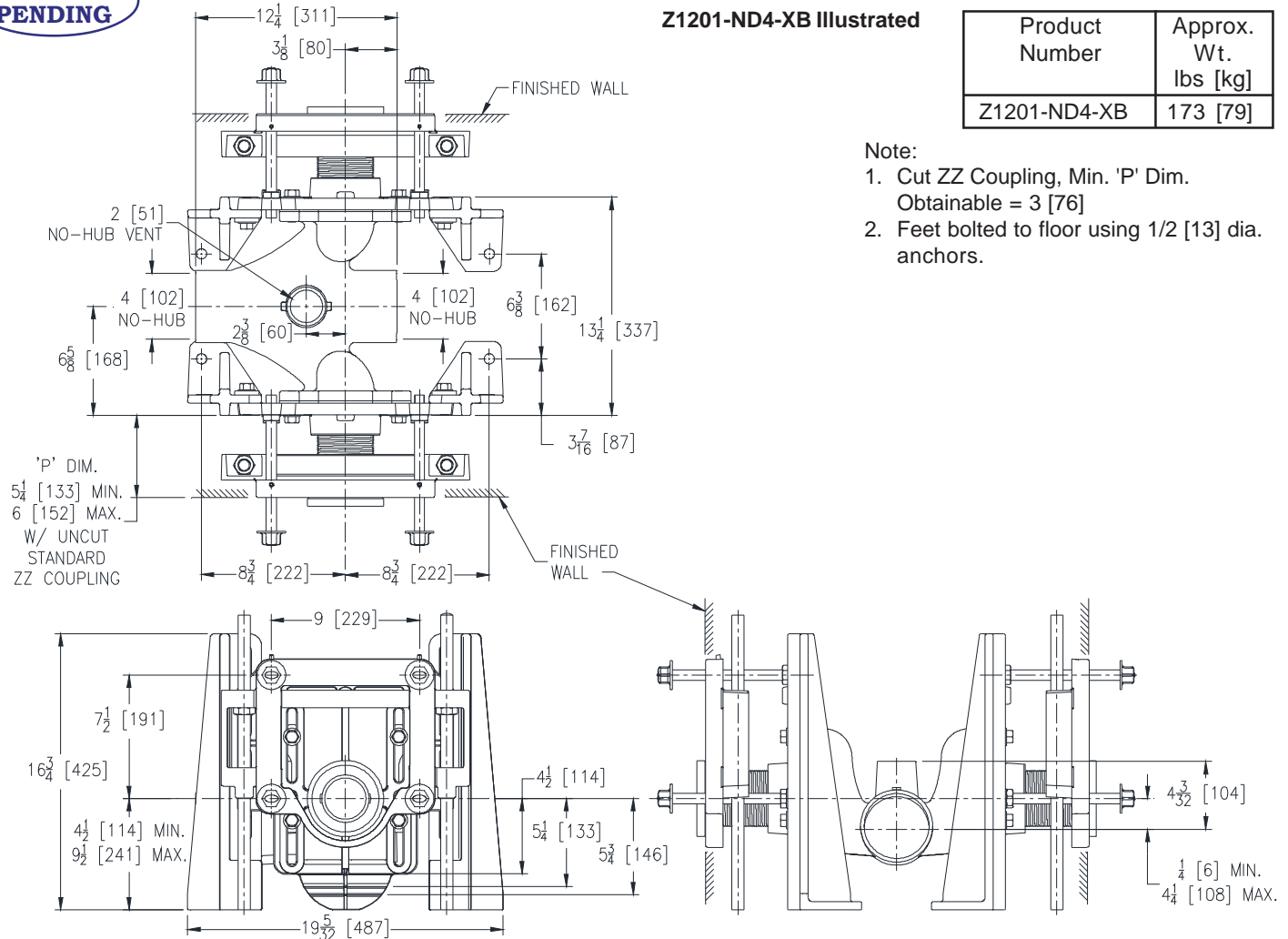
Dimensional Data (inches and [mm]) are Subject to Manufacturing Tolerances and Change Without Notice

Z1201-ND4-XB Illustrated

Product Number	Approx. Wt. lbs [kg]
Z1201-ND4-XB	173 [79]

Note:

1. Cut ZZ Coupling, Min. 'P' Dim. Obtainable = 3 [76]
2. Feet bolted to floor using 1/2 [13] dia. anchors.



ENGINEERING SPECIFICATION: ZURN Z1201-ND4-XB

EZCarry® Bariatric horizontal siphon jet water closet carrier system, with high performance Dura-Coated cast iron main fitting with hydro-mechanically optimized sweep, 4" [102 mm] no-hub connections, and extended 2" [51 mm] vent. Corrosion resistant, adjustable 3" [76mm] X 6" [102mm] cast iron couplings, designed to increase flow velocity and line carry, and labor saving "Neo-Seal" bonded gaskets optimize flow performance while reducing installation steps. Complete system includes adjustable, gasketed faceplates; floor mounted foot supports; rigid support frame assemblies; extra-heavy-duty 1/2" [13 mm] rear anchor tie downs; fixture bolts, trim, and stud protectors. EZCarry® XB system complies with all applicable requirements of ASME A112.6.1M up to a 1000 lbs [454 kg] maximum static load.

OPTIONS (Check/specify appropriate options)

___ Z1201-ND4-XB 4 [102] No-Hub Back-to-Back Inlet (Double)

PREFIXES

___ Z D.C.C.I. System with Zurn ZZ Adjustable Coupling*

SUFFIXES

___ -CC Corrosion Resistant Cast Iron Coupling
(2-1/4 to 12 [57 to 305])
___ -G Galvanized Cast Iron

___ -VP Vandal-Proof Trim
___ -50 Flush Valve Supply Support for Water Closets

* Regularly furnished unless otherwise specified.

Zurn Industries, LLC | Specification Drainage Operation
1801 Pittsburgh Avenue, Erie, PA U.S.A. 16502 · Ph. 855-663-9876, Fax 814-454-7929
In Canada | Zurn Industries Limited
3544 Nashua Drive, Mississauga, Ontario L4V 1L2 · Ph. 905-405-8272, Fax 905-405-1292
www.zurn.com

Rev. C
Date: 6/29/17
C.N. No. 136807
Prod. | Dwg. No. Z1201-ND4-XB