



Z1201-ND4-XH

EXTRA-HEAVY-DUTY - 750 lbs [340kg] BACK-TO-BACK
EZCARRY® ADJUSTABLE HORIZONTAL HIGH PERFORMANCE
SIPHON JET NO-HUB WATER CLOSET CARRIER SYSTEM

SPECIFICATION SHEET

TAG _____

**PATENT
PENDING**

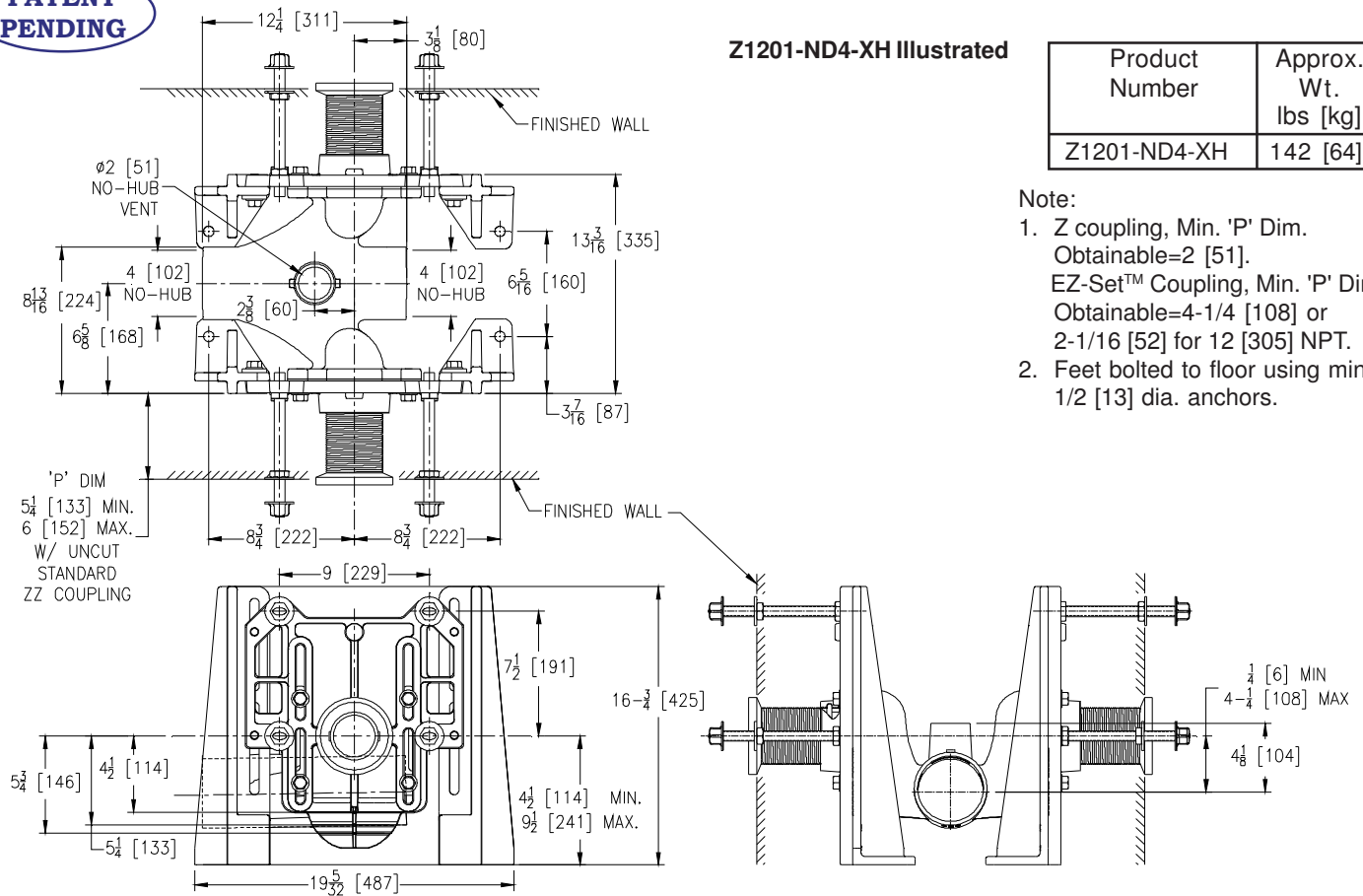
Dimensional Data (inches and [mm]) are Subject to Manufacturing Tolerances and Change Without Notice

Z1201-ND4-XH Illustrated

Product Number	Approx. Wt. lbs [kg]
Z1201-ND4-XH	142 [64]

Note:

- Z coupling, Min. 'P' Dim. Obtainable=2 [51]. EZ-Set™ Coupling, Min. 'P' Dim. Obtainable=4-1/4 [108] or 2-1/16 [52] for 12 [305] NPT.
- Feet bolted to floor using min. 1/2 [13] dia. anchors.



ENGINEERING SPECIFICATION: ZURN Z1201-ND4-XH

EZCarry® Extra-Heavy-Duty horizontal siphon jet water closet carrier system, with high performance Dura-Coated cast iron main fitting with hydro-mechanically optimized sweep, 4" [102 mm] no-hub connections, and extended 2" [51 mm] vent. Corrosion resistant, adjustable 3" [76 mm] dia. X 6" [152 mm] couplings with integral test caps, designed to increase flow velocity and line carry, and labor saving "Neo-Seal" bonded gaskets optimize flow performance while reducing installation steps. Complete system includes adjustable, gasketed faceplates; floor mounted foot supports; extra-heavy-duty 1/2" [13 mm] rear anchor tie downs; fixture bolts, trim, and stud protectors. EZCarry® XH system complies with all applicable requirements of ASME A112.6.1M up to a 750 lbs [340 kg] maximum static load.

OPTIONS (Check/specify appropriate options)

___ Z1201-ND4-XH 4 [102] No-Hub Back-to-Back Inlet (Double)

PREFIXES

___ Z D.C.C.I. System with Zurn ZZ Adjustable Coupling*
___ ZQ D.C.C.I. System with NPT Faceplate, Non-Adjustable Coupling

SUFFIXES

___ -CC Corrosion Resistant Cast Iron Coupling (2-1/4 to 12 [57 to 305])
___ -CE EZ-Set™ Coupling (NPSM 6 [152], 12 [305] or custom) (NPT 12 [305] or custom)
___ -CL Custom Length Standard Coupling with Integral Test Cap (Specify Length 4, 8, 10, 12 [102, 203, 254, 305])
___ -CS 2-1/4 [57] Polymer Coupling with Integral Test Cap (ZZ Coupling Only)

___ -G Galvanized Cast Iron
___ -VP Vandal-Proof Trim
___ -45 Finishing Frame for Siphon Jet System
___ -50 Flush Valve Supply Support for Water Closets

* Regularly furnished unless otherwise specified.

Zurn Industries, LLC | Specification Drainage Operation
1801 Pittsburgh Avenue, Erie, PA U.S.A. 16502 · Ph. 855-663-9876, Fax 814-454-7929
In Canada | Zurn Industries Limited
3544 Nashua Drive, Mississauga, Ontario L4V 1L2 · Ph. 905-405-8272, Fax 905-405-1292
www.zurn.com

Rev. D
Date: 05/08/17
C.N. No. 136812
Prod. | Dwg. No. Z1201-ND4-XH