



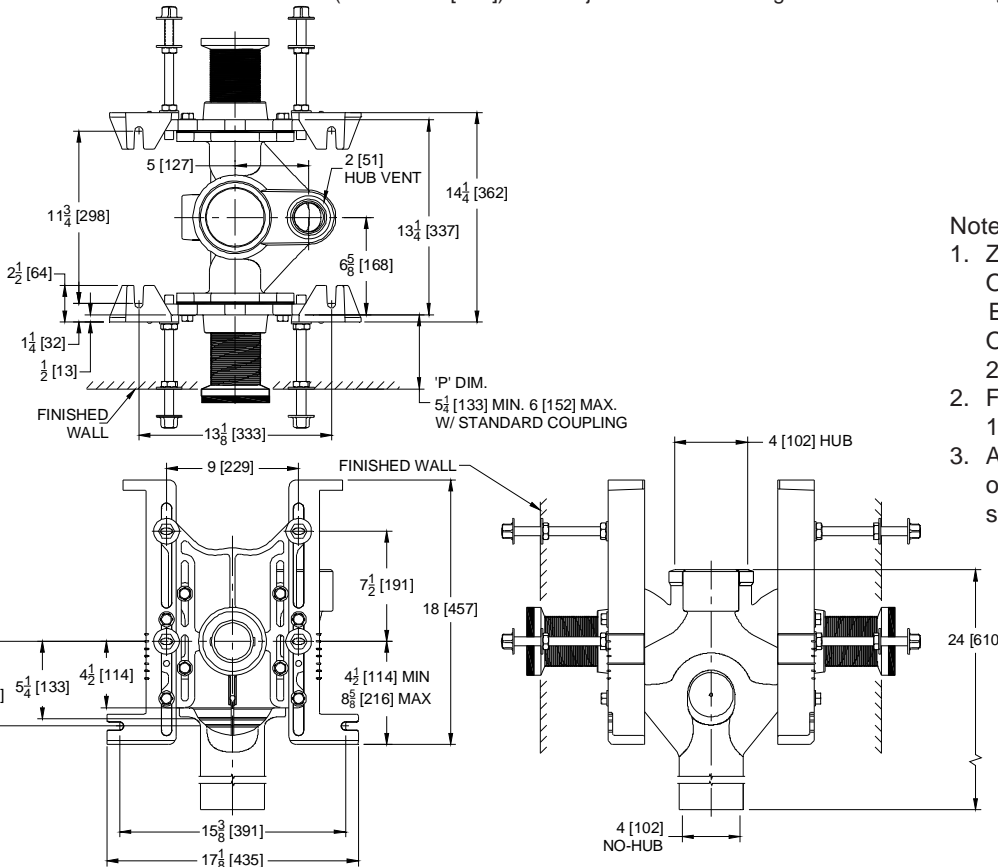
Z1202-HD4

EZCARRY® ADJUSTABLE VERTICAL BACK-TO-BACK
HIGH PERFORMANCE SIPHON JET HUB AND SPIGOT
WATER CLOSET CARRIER SYSTEM

SPECIFICATION SHEET

TAG _____

Dimensional Data (inches and [mm]) are Subject to Manufacturing Tolerances and Change Without Notice



Product Number	Approx. Wt. lbs [kg]
Z1202-HD4	125 [57]

Note:

- Z coupling, Min. 'P' Dim. Obtainable=2 [51]. EZ-Set™ Coupling, Min. 'P' Dim. Obtainable=4-1/4 [108] or 2-1/16 [52] for 12 [305] NPT.
- Feet bolted to floor using min. 1/2 [13] dia. anchors.
- Auxiliary inlet available right (-JR) or left (-JL) or both sides (-JJ) when specified.

ENGINEERING SPECIFICATION: ZURN Z1202-HD4

EZCarry® vertical siphon jet water closet carrier system with high performance waterway and 4" [102mm] hub and spigot connections. System includes Dura-Coated cast iron double main fitting with hydro-mechanically optimized sweep and extended 2" [51mm] vent, adjustable gasketed faceplates, floor mounted pre-fab slotted foot supports with top anchoring pre-fab support base, fixture bolts, trim, stud protectors, bonded "Neo-Seal" gaskets, and corrosion resistant, adjustable 3" [76mm] dia. X 6" [152mm] couplings with integral test caps designed to increase flow velocity and line carry. EZCarry® system complies with the requirements of ASME A112.6.1M up to a 500 lbs [227 kg] static load rating.

OPTIONS (Check/specify appropriate options)

Z1202-HD4 4 [102] Hub and Spigot Stack, Double Inlets, 2 [51] Vent

PREFIXES

- ___ Z D.C.C.I. System with Zurn ZZ Adjustable Coupling*
- ___ ZQ D.C.C.I. System with NPT Faceplate, Non-Adjustable Coupling

SUFFIXES

- | | | | |
|---------|--|------------|---|
| ___ -A | Auxiliary Support Assembly
(For 'P' Dim. Greater than 18 [457]) | ___ -G | Galvanized Cast Iron |
| ___ -CC | Corrosion Resistant Cast Iron Coupling
(2-1/4 [57] to 12 [305]) | ___ -JJ | Two 2 [51] Auxiliary Inlets |
| ___ -CE | EZ-Set™ Coupling (NPSM 6 [152], 12 [305] or custom)
(NPT 12 [305] or custom) | ___ -JL | 2 [51] Left-Hand Auxiliary Inlet |
| ___ -CL | Custom Length Standard Coupling with Integral Test Cap
(Specify Length 4, 8, 10, 12 [102, 203, 254, 305]) | ___ -JR | 2 [51] Right-Hand Auxiliary Inlet |
| ___ -CS | 2-1/4 [57] Polymer Coupling with Integral Test Cap | ___ -M | Auxiliary Foot Support
(for 'P' Dim. 7 thru 18 [178 thru 457]) |
| ___ -F | Floor Mounted, Back Outlet Fixture Support | ___ -RYK17 | One Piece Unistrut Pre-Fab Foot |
| | | ___ -VP | Vandal-Proof Trim |
| | | ___ -X2 | 2 [51] Carrier Foot Extension Assembly |
| | | ___ -X3 | 3 [76] Carrier Foot Extension Assembly |
| | | ___ -45 | Finishing Frame for Siphon Jet System |
| | | ___ -50 | Flush Valve Supply Support for Water Closets |

* Regularly furnished unless otherwise specified.

Zurn Industries, LLC | Specification Drainage Operation
1801 Pittsburgh Avenue, Erie, PA U.S.A. 16502 · Ph. 855-663-9876, Fax 814-454-7929

In Canada | Zurn Industries Limited
7900 Goreway Drive, Unit 10, Brampton, Ontario L6T 5W6, Ph. 877.892.5216

www.zurn.com

Rev. L
Date: 10/30/2019
C.N. No. 142119
Prod. | Dwg. No. Z1202-HD4