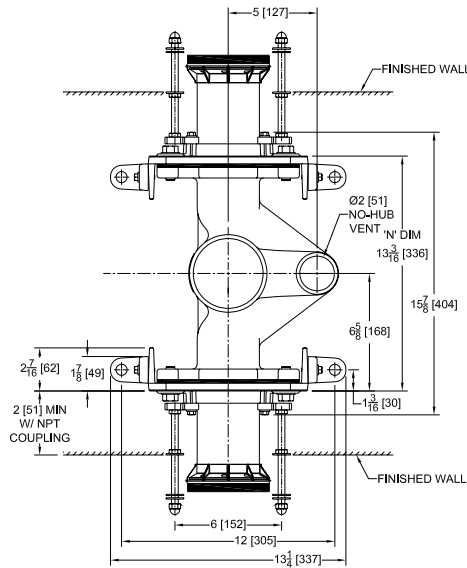




Z1202-ND4-FMBO

EZCARRY® ADJUSTABLE VERTICAL HIGH PERFORMANCE
BACK-TO-BACK SIPHON JET NO-HUB WATER CLOSET CARRIER
SYSTEM W/ FLOOR MOUNT BACK OUTLET FIXTURE SUPPORT

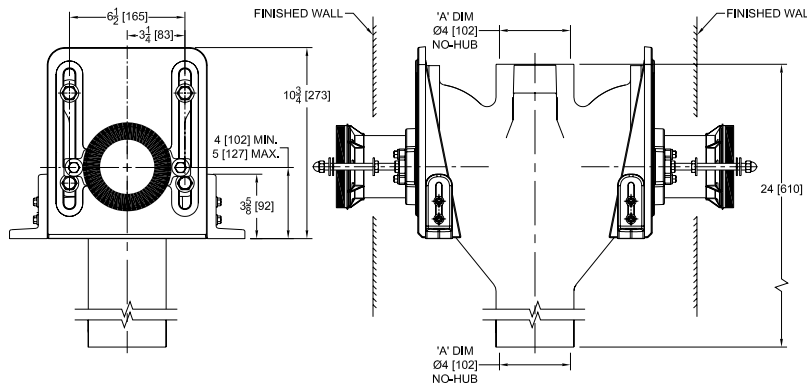
Design and Dimensional Data (inches and [mm]) are Subject to Manufacturing Tolerances and Change Without Notice



Product Number	Approx. Wt. lbs [kg]
Z1202-ND4-FMBO	81 [37]

Note:

1. EZ-Set™ Coupling, Min. 'P' Dim. Obtainable = 2 [51]
2. Feet bolted to floor using min. 1/2 [13] dia. anchors.



Z1202-ND4-FMBO Illustrated

ENGINEERING SPECIFICATION: ZURN Z1202-ND4-FMBO

EZCarry® vertical siphon jet water closet carrier system with high performance waterway and 4" [102mm] no-hub connections. Floor mount back outlet connection optimized for installation. System includes Dura-Coated cast iron double main fitting with hydro-mechanically optimized sweep and extended 2" [51 mm] vent, adjustable faceplates, QuickFit™ faceplate gaskets, floor mounted, back outlet fixture supports, trim, bonded "Neo-Seal" gaskets, and 3" dia [76mm] x 12" [305mm] EZ-Set™ Coupling designed to increase flow velocity and line carry.

OPTIONS (Check/specify appropriate options)

___ Z1202-ND4-FMBO 4 [102] No-Hub Back-to-Back Inlet (Double)

PREFIXES

___ ZQ D.C.C.I. System with Zurn EZ-Set™ NPT Coupling*

SUFFIXES

- ___ -G Galvanized Cast Iron
- ___ -JC 2 [51] Auxiliary Inlet with 1/8 Bend
- ___ -VP Vandal-Proof Trim

* Regularly furnished unless otherwise specified.

⚠ **WARNING:** Cancer and Reproductive Harm - www.P65Warnings.ca.gov

⚠ **ADVERTENCIA:** Cáncer y daño reproductivo - www.P65Warnings.ca.gov

⚠ **AVERTISSEMENT:** Cancer et effets néfastes sur la reproduction - www.P65Warnings.ca.gov