



Z1202-ND4-XH

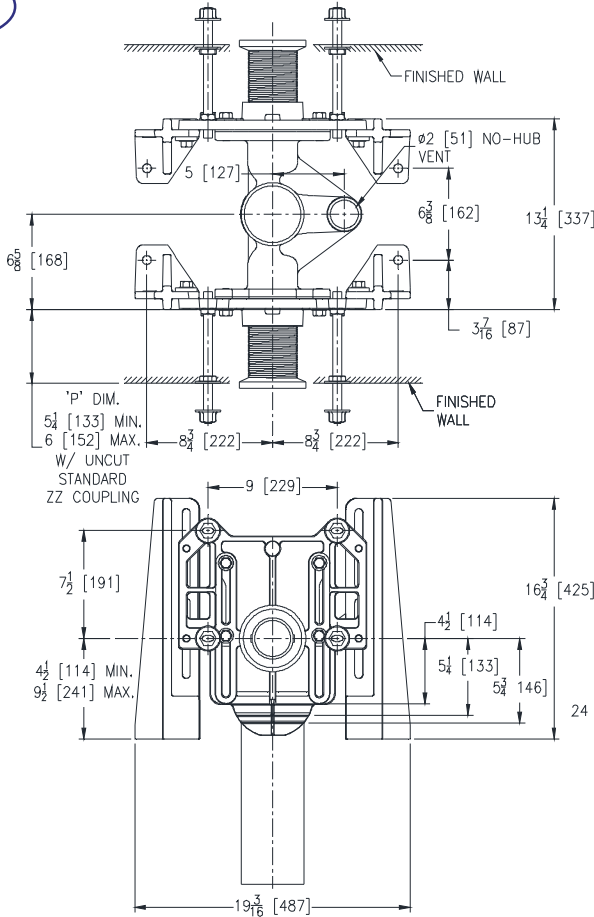
EXTRA-HEAVY-DUTY- 750 lbs [340 kg] BACK-TO-BACK
EZCARRY® ADJUSTABLE VERTICAL HIGH PERFORMANCE
SIPHON JET NO-HUB WATER CLOSET CARRIER SYSTEM

SPECIFICATION SHEET

TAG _____

**PATENT
PENDING**

Dimensional Data (inches and [mm]) are Subject to Manufacturing Tolerances and Change Without Notice

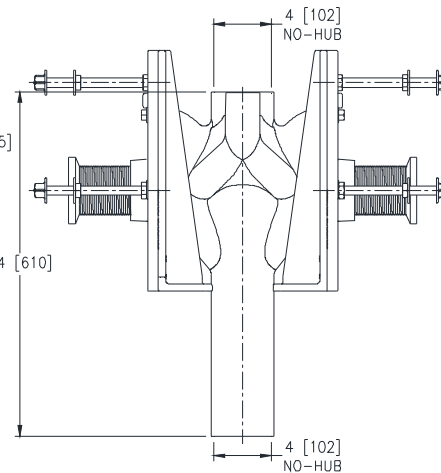


Z1202-ND4-XH Illustrated

Product Number	Approx. Wt. lbs [kg]
Z1202-ND4-XH	156 [71]

Note:

- Cut ZZ Coupling, Min. 'P' Dim. Obtainable = 2 [51] Cut EZ-Set™ Coupling, Min. 'P' Dim. Obtainable=4-1/4 [108] or 2-1/16 [52] for 12 [305] NPT
- Feet bolted to floor using min. 1/2 [13] dia. anchors.



ENGINEERING SPECIFICATION: ZURN Z1202-ND4-XH

EZCarry® Extra-Heavy-Duty vertical siphon jet water closet carrier system, with high performance Dura-Coated cast iron main fitting with hydro-mechanically optimized sweep, 4" [102 mm] no-hub connections, and extended 2" [51 mm] vent. Corrosion resistant, adjustable 3" [76 mm] dia. X 6" [152 mm] couplings with integral test caps, designed to increase flow velocity and line carry, and labor saving "Neo-Seal" bonded gaskets optimize flow performance while reducing installation steps. Complete system includes adjustable, gasketed faceplates; floor mounted foot supports; extra-heavy-duty 1/2" [13 mm] rear anchor tie downs; fixture bolts, trim, and stud protectors. EZCarry® XH system complies with all applicable requirements of ASME A112.6.1M up to a 750 lbs [340 kg] maximum static load.

OPTIONS (Check/specify appropriate options)

___ Z1202-ND4-XH 4 [102] No-Hub Stack, Back-to-Back Inlet (Double), 2 [51] Right Hand Vent

PREFIXES

___ Z D.C.C.I. System with Zurn ZZ Adjustable Coupling*
___ ZQ D.C.C.I. System with NPT Faceplate, Non-Adjustable Coupling

SUFFIXES

___ -CC	Corrosion Resistant Cast Iron Coupling (2-1/4 to 12 [57 to 305])	___ -G	Galvanized Cast Iron
___ -CE	EZ-Set™ Coupling (NPSM 6 [152] ,12 [305] or custom) (NPT 12 [305] or custom)	___ -JJ	Two 2 [51] Auxiliary Inlets
___ -CL	Custom Length Standard Coupling with Integral Test Cap (Specify Length 4, 8, 10, 12 [102, 203, 254, 305])	___ -JL	2 [51] Left-Hand Auxiliary Inlet
___ -CS	2-1/4 [57] Polymer Coupling with Integral Test Cap (ZZ Coupling Only)	___ -JR	2 [51] Right-Hand Auxiliary Inlet
		___ -VL	Left Hand Vent Connection
		___ -VP	Vandal-Proof Trim
		___ -45	Finishing Frame for Siphon Jet System
		___ -50	Flush Valve Supply Support for Water Closets

* Regularly furnished unless otherwise specified.

Zurn Industries, LLC | Specification Drainage Operation
1801 Pittsburgh Avenue, Erie, PA U.S.A. 16502 · Ph. 855-663-9876, Fax 814-454-7929
In Canada | Zurn Industries Limited
3544 Nashua Drive, Mississauga, Ontario L4V 1L2 · Ph. 905-405-8272, Fax 905-405-1292
www.zurn.com

Rev. C
Date: 05/08/17
C.N. No. 136827
Prod. | Dwg. No. Z1202-ND4-XH