



# Z1231EZ

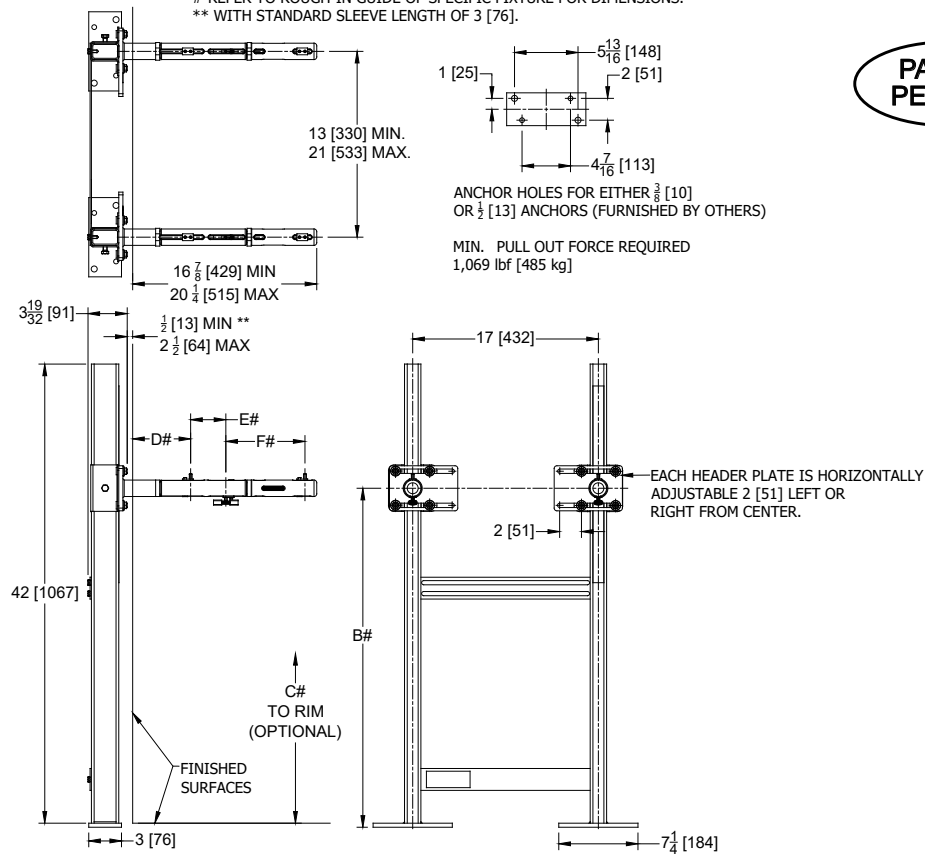
UNIVERSAL CONCEALED ARM CARRIER SYSTEM FOR WALL HUNG LAVATORY W/ ADJUSTABLE UPRIGHTS & HEADER PLATES

SPECIFICATION SHEET

TAG \_\_\_\_\_

Design and Dimensional Data (inches and mm) are Subject to Manufacturing Tolerances and Change Without Notice

NOTES:  
# REFER TO ROUGH-IN GUIDE OF SPECIFIC FIXTURE FOR DIMENSIONS.  
\*\* WITH STANDARD SLEEVE LENGTH OF 3 [76].



PATENT PENDING

Product No.	Approx. Wt. Lbs. [kg]
Z1231EZ	43 [19]

## ENGINEERING SPECIFICATION: ZURN Z1231EZ

Z1231EZ Universal Carrier System designed to reduce installation time and provide job site flexibility. Zurn's Concealed Arm Carrier comes standard with Dura-Coated, ductile iron universal arms, including leveling screws, and soft-set elastomeric locking devices pre-installed. Reversible header plates with slots and integral welded arm sleeves that provide 2" [51mm] of horizontal adjustment per plate, allowing for horizontal post anchoring adjustment from 13"-21" [330 mm - 533 mm]. Uprights, rigid spacing plates, and header plates are factory assembled for easy installation. Carrier system comes complete with Dura-Coated uprights constructed of carbon-steel tubing that meet ASTM A500 Grade C standards. Uprights also include welded steel plate mounting feet that feature separate bolt patterns for use with either (2) 3/8" [10 mm] or 1/2" [13 mm] anchors per leg. Carrier includes lower and upper rigid spacing plates for a spacing of 17" [432 mm]. Upper spacing plate includes horizontal slots for securing water supply and vent piping. Zurn's Universal carrier systems exceeds load and deflection requirements when tested in accordance to ASME Standard A112.6.1M at all rough-in positions, and meets OSHPD spacing requirements for two anchor per upright installation.

### PREFIXES

\_\_\_ Z Dura-Coated System with Support Plate

### SUFFIXES

\_\_\_ -AL Adapter Lug  
 \_\_\_ -D Back to Back System  
 \_\_\_ -EXT Extension Sleeve 3-5 [76-127]  
 \_\_\_ -WL Waste Line Sleeve

⚠ **WARNING:** Cancer and Reproductive Harm - [www.P65Warnings.ca.gov](http://www.P65Warnings.ca.gov)

⚠ **ADVERTENCIA:** Cáncer y daño reproductivo - [www.P65Warnings.ca.gov](http://www.P65Warnings.ca.gov)

⚠ **AVERTISSEMENT:** Cancer et effets néfastes sur la reproduction - [www.P65Warnings.ca.gov](http://www.P65Warnings.ca.gov)

Zurn Industries, LLC | Specification Drainage Operation  
1801 Pittsburgh Avenue, Erie, PA 16502, Ph. 855.663.9876

In Canada | Zurn Industries Limited  
7900 Goreway Drive, Unit 10, Brampton, Ontario L6T 5W6, Ph. 877.892.5216

[www.zurn.com](http://www.zurn.com)

Rev. A  
 Date: 03/30/2020  
 C.N. No. 142362  
 Prod. | Dwg. No. Z1231EZ