

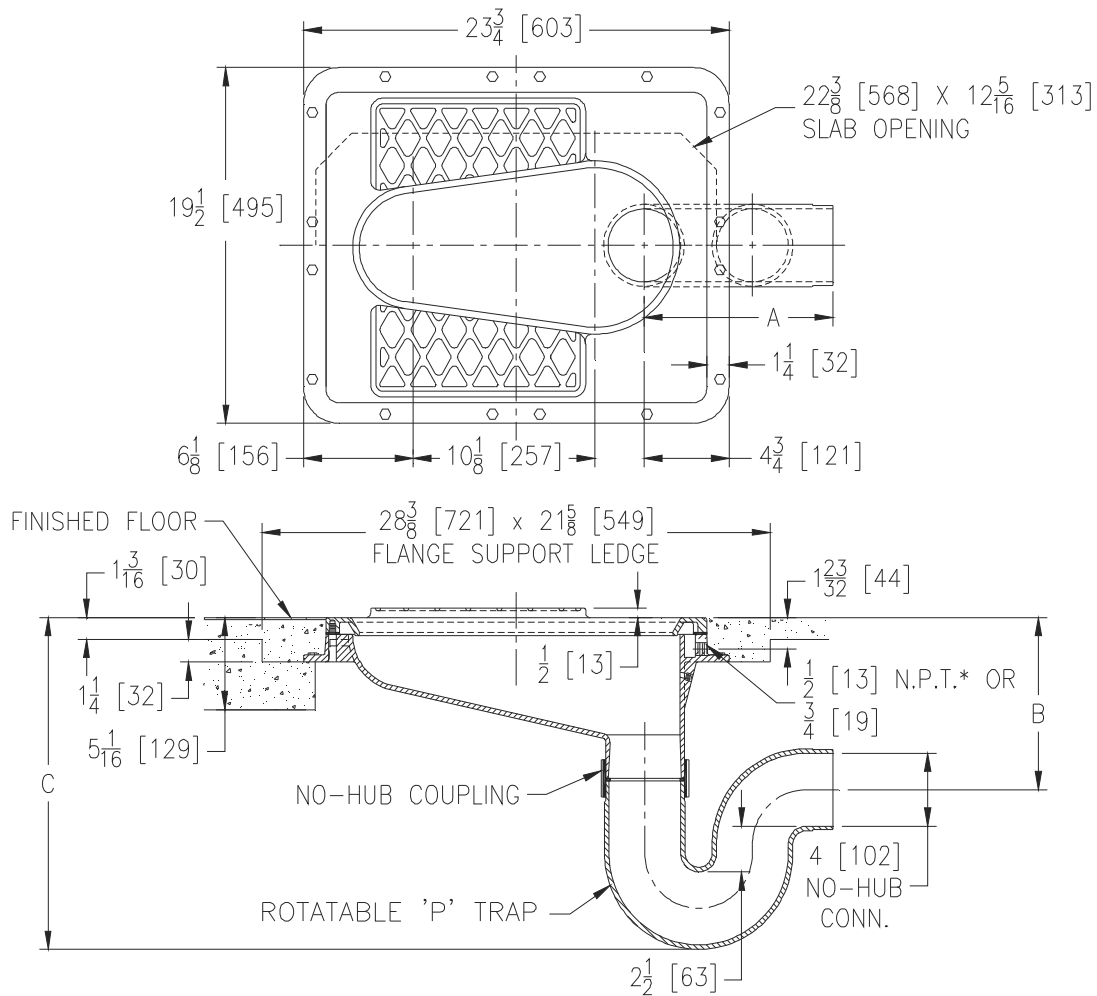


Z1290 EASTERN STYLE WATER CLOSET

SPECIFICATION SHEET

TAG _____

Dimensional Data (inches and [mm]) are Subject to Manufacturing Tolerances and Change Without Notice



ENGINEERING SPECIFICATION: ZURN Z1290

Acid resisting fired porcelain enameled cast iron water closet complete with rotating 4 [102] No-Hub 'P' trap and No-Hub coupling to meet various piping requirements including connection to plastic piping systems where required. Water closet is furnished with integral non-skid foot pads and bowl wash down non-splashing flushing rim. The water closet is completely self supporting requiring no external mounting hardware and is flush with finished floor, providing complete floor drainage into bowl. Flushing connection is available in 1/2 [13] and 3/4 [19] NPT. Recommended to be used with Zurn flush valve models Z6096AV or Z6196AV with either 2.4, 3.5, or 4.5 gallons per flush. Brackish or sea water may also be used for efficient flushing of entire bowl. **For Storage & Handling, Installation, Care & Cleaning (SEE Form #OF53)**

OPTIONS (Check/specify appropriate options)

SUFFIXES

____ -DE Dielectric Supply Connection

| 4 [102] NO-HUB TRAP | | |
|---------------------|-------------|--------------|
| A | B | C |
| 10 1/2 [267] | 9 1/2 [241] | 18 1/4 [464] |

*REGULARLY FURNISHED UNLESS OTHERWISE SPECIFIED

| | | |
|-----------------------------|-----------------------|------------------------|
| REV. H | DATE: 02/19/13 | C.N. NO. 128799 |
| PROD./DWG. NO. Z1290 | | |

ZURN INDUSTRIES, LLC ♦ SPECIFICATION DRAINAGE OPERATION ♦ 1801 Pittsburgh Ave. ♦ Erie, PA 16514

Phone: 814/455-0921 ♦ Fax: 814/454-7929 ♦ World Wide Web: www.zurn.com

In Canada: ZURN INDUSTRIES LIMITED ♦ 3544 Nashua Drive ♦ Mississauga, Ontario L4V1L2 ♦ Phone: 905/405-8272 Fax: 905/405-1292