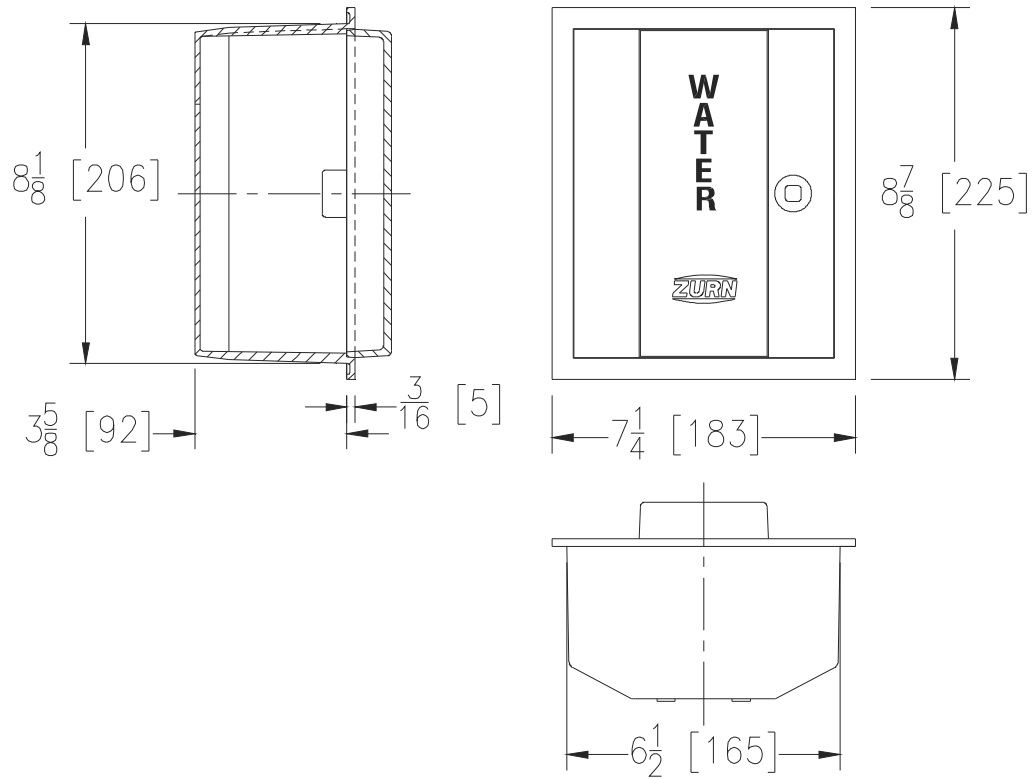


Dimensional Data (inches and [mm]) are Subject to Manufacturing Tolerances and Change Without Notice



ENGINEERING SPECIFICATION: Z1341-BOX

Chrome-plated rough cast bronze box and hinged cover with loose key included.

OPTIONS (Check/specify appropriate options)

SUFFIXES

____ -CL Cylinder Lock