



# Z1360XL

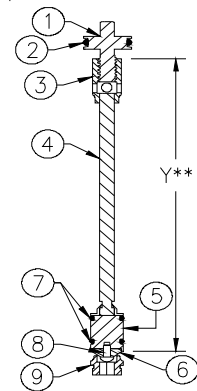
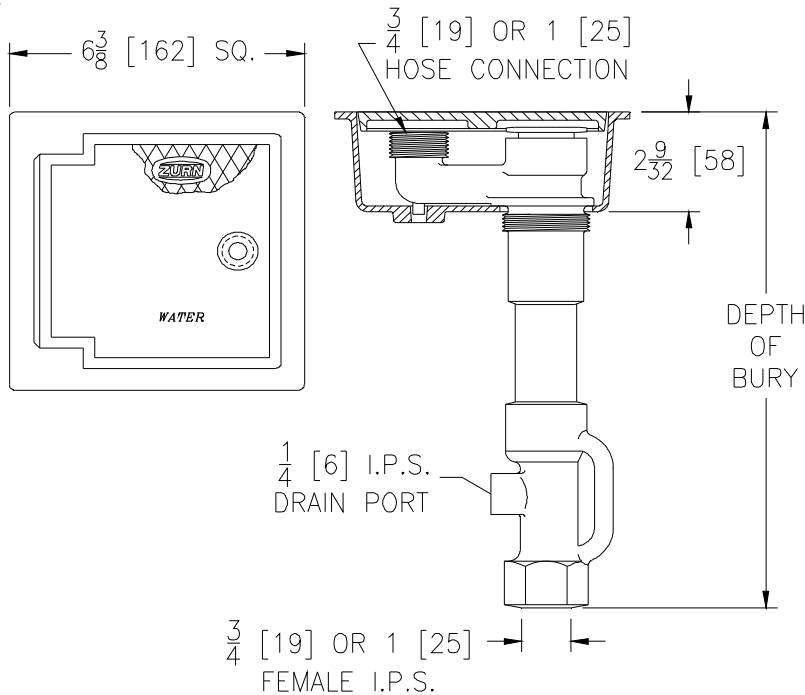
## GROUND HYDRANT

### Encased, Flush Type, Non-Freeze

SPECIFICATION SHEET

TAG \_\_\_\_\_

Dimensional Data (inches and [mm]) are Subject to Manufacturing Tolerances and Change Without Notice



#### Internal Compents

Item	Name	Quan.
1	Operating Screw	1
2	O-Ring	1
3	Operating Coupling	1
4	Operating Rod	1
5	Washer Guide	1
6	Washer (neoprene)	1
7	O-Ring	2
8	Screw	1
9	Removable Seat	1

Depth of Bury Feet [mm]	Approx. Wt. lbs [kg]
2 [610]	17 [8]
3 [914]	21 [10]
4 [1219]	25 [11]
5 [1524]	33 [15]
6 [1829]	39 [18]
7 [2134]	43 [20]
8 [2438]	47 [21]
9 [2743]	52 [24]
10 [3048]	56 [25]

#### ENGINEERING SPECIFICATION: ZURN Z1360XL

Encased, lead-free, non-freeze ground hydrant for flush with grade or finished (non-traffic) floor installation. Hydrant features galvanized steel casing, bronze and stainless steel interior components, bronze seat and replaceable seat washer, non-turning operating rod and, free-floating compression closure valve with 3/4" [19] or 1" [25] inlet connection with 1/4" [6] tapped drainage port on housing, and 3/4" [19] or 1" [25] male hose connection. Hydrant furnished with plain bronze box and locking hinged, scoriated cover stamped "WATER" and includes operating key.

*Zurn "XL" Lead-Free compliant products are a line of durable plumbing products designed and manufactured to comply with state laws and local codes that mandate maximum allowable lead content levels. Zurn "XL" products are manufactured in accordance to the Federal SWDA section 1417.*

#### CONNECTION TYPE:

- \_\_\_ 3/4 [19] Hose Connection
- \_\_\_ 1 [25] Hose Connection

#### SUFFIXES

- |           |                                     |         |                                                                                        |
|-----------|-------------------------------------|---------|----------------------------------------------------------------------------------------|
| ___ -CI   | D.C.C.I. Box and Cover              | ___ -KC | Flashing Flange with Clamp Collar                                                      |
| ___ -DP12 | 1/2 [13] IP Drain Port in Box       | ___ -NB | Polished Nickel Bronze Face                                                            |
| ___ -DP14 | 1/4 [6] IP Drain Port in Box        | ___ -PB | Polished Bronze Face                                                                   |
| ___ -DP38 | 3/8 [10] IP Drain Port in Box       | ___ -RK | Hydrant Parts Repair Kit (HYD-RK-Z1360XL)                                              |
| ___ -HD   | Heavy Duty Cover (-CI and -NB only) | ___ -VB | 3/4 [19] Adapter Vacuum Breaker<br>(Requires deeper box to accommodate vacuum breaker) |
| ___ -K    | Flashing Flange only                |         |                                                                                        |

\* Regularly furnished unless otherwise specified.

\*\* When ordering replacement operating rod assembly Specify Y dim.

Zurn Industries, LLC | Specification Drainage Operation  
 1801 Pittsburgh Avenue, Erie, PA U.S.A. 16502 · Ph. 855-663-9876, Fax 814-454-7929  
 In Canada | Zurn Industries Limited  
 3544 Nashua Drive, Mississauga, Ontario L4V 1L2 · Ph. 905-405-8272, Fax 905-405-1292  
[www.zurn.com](http://www.zurn.com)

Rev. A  
 Date: 8/28/15  
 C.N. No. 133088  
 Prod. | Dwg. No. Z1360XL