

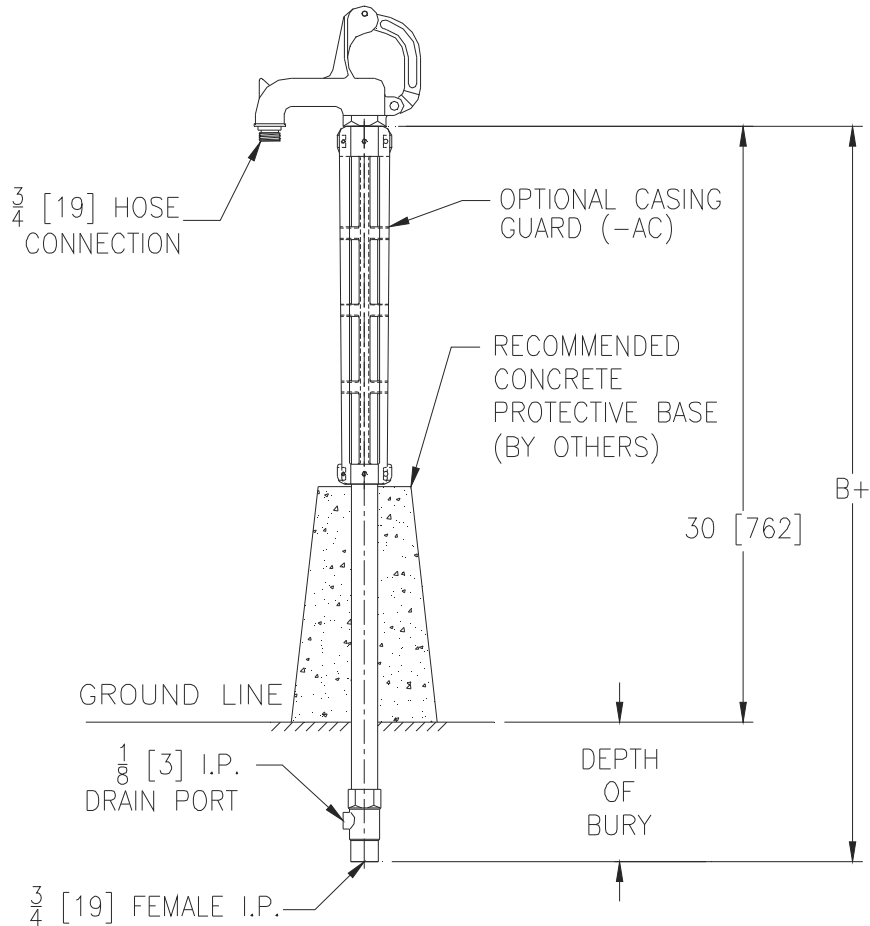


# Z1396XL YARD HYDRANT

SPECIFICATION SHEET

TAG \_\_\_\_\_

Dimensional Data (inches and [mm]) are Subject to Manufacturing Tolerances and Change Without Notice



| Depth of Bury Feet [mm] | B+ Dim. Feet [mm] | Approx. Wt. lbs [kg] |
|-------------------------|-------------------|----------------------|
| 2 [610]                 | 4-1/2 [1372]      | 15 [7]               |
| 3 [914]                 | 5-1/2 [1676]      | 19 [9]               |
| 4 [1219]                | 6-1/2 [1981]      | 23 [10]              |
| 5 [1524]                | 7-1/2 [2286]      | 27 [12]              |
| 6 [1829]                | 8-1/2 [2591]      | 31 [14]              |
| 8 [2438]                | 10-1/2 [3200]     | 39 [18]              |

### ENGINEERING SPECIFICATION: ZURN Z1396XL

Exposed, lead-free, non-freeze yard hydrant. Hydrant features a Dura-Coated cast iron head and lift handle with lock option, galvanized steel casing, bronze and stainless steel interior components, 3/4" [19] inlet connection with 1/8" [3] tapped drainage port on housing, and 3/4" [19] male hose connection.

*Zurn "XL" Lead-Free compliant products are a line of durable plumbing products designed and manufactured to comply with state laws and local codes that mandate maximum allowable lead content levels. Zurn "XL" products are manufactured in accordance to the Federal SWDA section 1417.*

### OPTIONS (Check/specify appropriate options)

#### SUFFIXES

- \_\_\_\_ -AC Aluminum Casing Guard
- \_\_\_\_ -RK Hydrant Parts Repair Kit
- \_\_\_\_ -VB 3/4 [19] Adapter Vacuum Breaker

\* Regularly furnished unless otherwise specified.

Zurn Industries, LLC | Specification Drainage Operation  
 1801 Pittsburgh Avenue, Erie, PA U.S.A. 16502 · Ph. 855-663-9876, Fax 814-454-7929  
 In Canada | Zurn Industries Limited  
 3544 Nashua Drive, Mississauga, Ontario L4V 1L2 · Ph. 905-405-8272, Fax 905-405-1292  
[www.zurn.com](http://www.zurn.com)

Rev. -  
 Date: 12/9/14  
 C.N. No. 131810  
 Prod. | Dwg. No. Z1396XL