



Z1800-12B

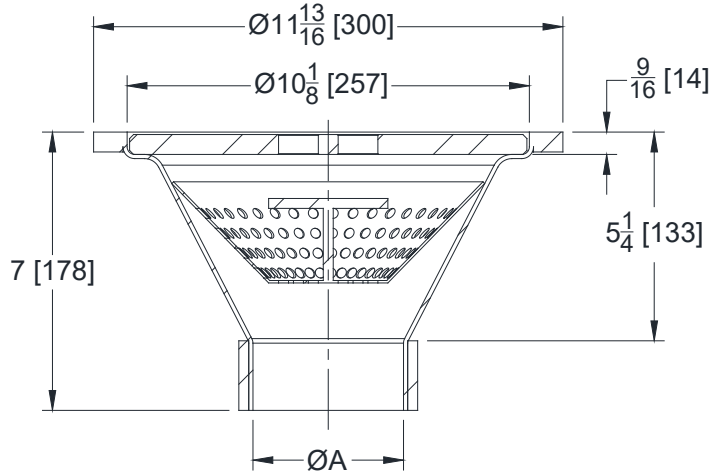
12" [305] DIAMETER ROUND INDUSTRIAL SANITARY FLOOR DRAIN

SPECIFICATION SHEET

TAG _____

Design and Dimensional Data (inches and [mm]) are Subject to Manufacturing Tolerances and Change Without Notice

Approx. Wt. Lbs. [kg]	Grate Open Area Sq. In. [cm ²]
18 [8]	19.2 [124]



*Three anchor tabs spaced 120 degrees apart not represented in cross section view.

ENGINEERING SPECIFICATION: Z1800-12B

12" [305] Diameter x 5-1/4 [133] Deep, 12 gauge, type 304 stainless steel, round industrial sanitary floor drain features loose set heavy-duty slotted grate (1/2 [13] thick plate) with finger holes, 9/16 [14] top frame, perforated removable sediment bucket with lift handle, pre-pour stabilizing anchor tabs, and bead blasted finish.

OPTIONS (Check/specify appropriate options)

PIPE SIZE (ØA)

2, 3, 4, 6 [51, 76, 102, 152]

OUTLET (specify size)

___ BW Butt-Weld (Sch. 40)
___ NH No-Hub (Sch. 10)

PREFIXES

___ Z Type 304 (CF8) Stainless Steel*
___ ZM Type 316 (CF8M) Stainless Steel

SUFFIXES

___ -A Adjustable Threaded Outlet
___ -BF Butterfly Lock Sediment Basket (Only available in 4" Outlet).
___ -K Anchor Flange
___ -KC Anchor Flange w/ Seepage Holes and Clamp Collar
___ -MG EZLock Magnetic Lock System
___ -P 1/2 [13] Trap Primer Connection
___ -VP Vandal Proof Secured Top

GRATE OPTIONS

___ -H3 Heavy-Duty Perimeter Gap - 1/2 [13] Plate (15 Sq. In. [97 cm²] Open Area). Add 1/2 [13] to overall height.
___ -H5 Heavy-Duty Slotted Grate - 1/2 [13] Plate w/ Finger Holes (19.2 Sq. In. [124 cm²] Open Area). Add 1/2 [13] to overall height.
___ -2 1/2 Grate
___ -3 3/4 Grate

* Regularly furnished unless otherwise specified

⚠ WARNING: Cancer and Reproductive Harm - www.P65Warnings.ca.gov

⚠ ADVERTENCIA: Cáncer y daño reproductivo - www.P65Warnings.ca.gov

⚠ AVERTISSEMENT: Cancer et effets néfastes sur la reproduction - www.P65Warnings.ca.gov

Zurn Industries, LLC | Specification Drainage Operation
1801 Pittsburgh Avenue, Erie, PA 16502, Ph. 855.663.9876

In Canada | Zurn Industries Limited
7900 Goreway Drive, Unit 10, Brampton, Ontario L6T 5W6, Ph. 877.892.5216

www.zurn.com

Rev. E
Date: 09/09/2021
C.N. No. 144042
Prod. | Dwg. No. Z1800-12B