



# Z1810-12S

## 12 x 12 [305 x 305] SQUARE INDUSTRIAL FLOOR DRAIN WITH ADJUSTABILITY

SPECIFICATION SHEET

TAG \_\_\_\_\_

Dimensional Data (inches and [ mm ]) are Subject to Manufacturing Tolerances and Change Without Notice

### Engineering Specification: ZURN Z1810-12S

12 x 12 [305 x 305] Square, 18 gage, all type 304 (CF8) stainless steel industrial floor drain with loose set anti-tilt extra-heavy-duty perimeter drainage cover, adjustable reinforced top frame with o-ring seal and securing clamp, perforated removable sediment bucket with lift handle, pre-sloped bottom sump, and pre-pour stabilizing anchor tabs.

Approx. Wt. Lbs. [kg]	Grate Open Area Sq. In. [cm <sup>2</sup> ]
21 [10]	9.7 [63]

### Options (Check/specify appropriate options)

**Pipe Size (ØA)** (Specify size/type) **Outlet**  
 3-4-6[76-102-152]      \_\_\_ BW Butt-Weld (Sch. 10)  
 3-4-6[76-102-152]      \_\_\_ NH No-Hub

### Prefixes

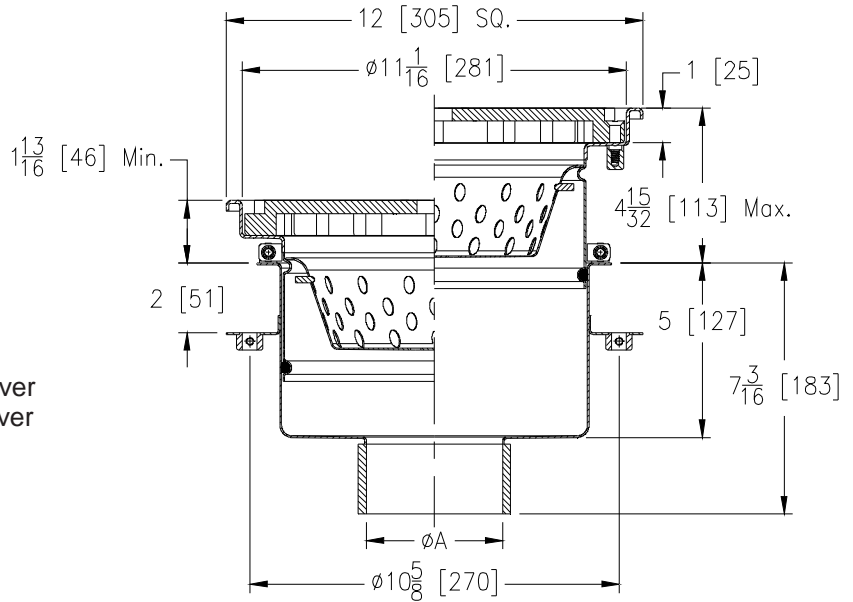
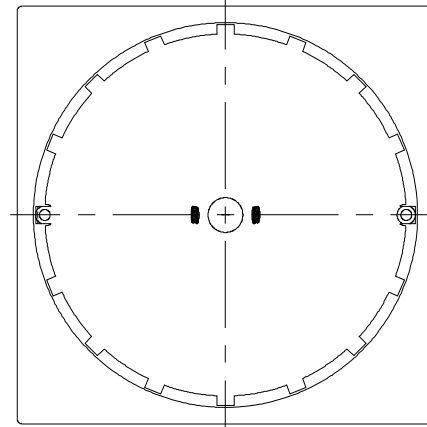
\_\_\_ Z      Type 304 (CF8) Stainless Steel\*  
 \_\_\_ ZM      Type 316 (CF8M) Stainless Steel

### Suffixes

\_\_\_ -B      Bell Trap/Solid Sediment Bucket  
 \_\_\_ -KC      Anchor Flange w/Seepage Holes and Clamp Collar  
 \_\_\_ -P      ø1/2 [13] Trap Primer Connection  
 \_\_\_ -SA      Stabilizer Assembly (Z1036)  
 \_\_\_ -TS      3 [76] and 4 [102] outlets only  
 \_\_\_ -TS      Top Secured Grate  
 \_\_\_ -VH      Vacuum Handle (-GCX Cover Only)  
 \_\_\_ -3PT      3 [76] Stainless Steel P-Trap  
 \_\_\_ -4PT      4 [102] Stainless Steel P-Trap  
 \_\_\_ -6PT      6 [152] Stainless Steel P-Trap

### Grate Options

\_\_\_ -GCX      Extra-Heavy-Duty Gas Tight Solid Cover  
 \_\_\_ -PCS      Special-Duty Perimeter Drainage Cover (9.7 Sq. In. [63 cm<sup>2</sup>] Open Area)  
 \_\_\_ -PGM      Medium-Duty Perforated Grate (27.3 Sq. In. [176 cm<sup>2</sup>] Open Area)  
 \_\_\_ -SGH      Heavy-Duty Slotted Grate (28.9 Sq. In. [186 cm<sup>2</sup>] Open Area)  
 \_\_\_ -SGM      Medium-Duty Slotted Grate (28.9 Sq. In. [186 cm<sup>2</sup>] Open Area)



\* Regularly furnished unless otherwise specified.