



Z1820-12B

12 [305] DIAMETER ROUND INDUSTRIAL SIDE OUTLET FLOOR DRAIN

SPECIFICATION SHEET

TAG _____

Dimensional Data (inches and [mm]) are Subject to Manufacturing Tolerances and Change Without Notice

Engineering Specification: ZURN Z1820-12B
12 [305] Diameter, 18 gage, all type 304 (CF8) stainless steel round industrial floor drain with 1.25° pre-sloped side outlet, loose set anti-tilt extra-heavy-duty perimeter drainage cover, reinforced top frame, perforated removable sediment bucket with lift handle, and pre-pour stabilizing anchor tabs.

Approx. Wt. Lbs. [kg]	Grate Open Area Sq. In. [cm ²]
17 [8]	9.7 [63]

Options (Check/specify appropriate options)

Pipe Size (ØA) (Specify size/type)	Outlet	E Body Ht. Dim.	F
3 [76] ___ BW	Butt-Weld (Sch. 10)	6 [152]	4 [102]
4 [102] ___ BW	Butt-Weld (Sch. 10)	6-1/2 [216]	4 [102]
6 [152] ___ BW	Butt-Weld (Sch. 10)	8-1/2 [110]	7-1/2 [191]
3 [76] ___ NH	No-Hub	6 [152]	4 [102]
4 [102] ___ NH	No-Hub	6-1/2 [165]	4 [102]
6 [152] ___ NH	No-Hub	8-1/2 [216]	7-1/2 [191]

Prefixes

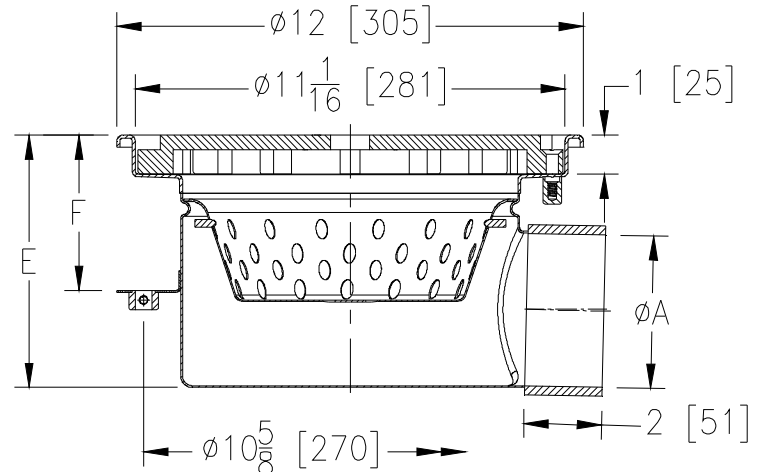
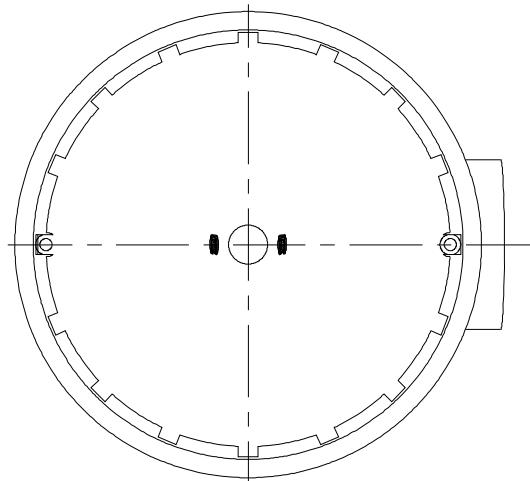
- ___ Z Type 304 (CF8) Stainless Steel*
- ___ ZM Type 316 (CF8M) Stainless Steel

Suffixes

- ___ -B Bell Trap/Solid Sediment Bucket
- ___ -P ø1/2 [13] Trap Primer Connection
- ___ -SA Stabilizer Assembly (Z1036)
- ___ -TS Top Secured Grate
- ___ -VH Vacuum Handle (-GCX Cover Only)

Grate Options

- ___ -GCX Extra-Heavy-Duty Gas Tight Solid Cover
- ___ -PCS Special-Duty Perimeter Drainage Cover (9.7 Sq. In. [63 cm²] Open Area)
- ___ -PGM Medium-Duty Perforated Grate (27.3 Sq. In. [176 cm²] Open Area)
- ___ -SGH Heavy-Duty Slotted Grate (28.9 Sq. In. [186 cm²] Open Area)
- ___ -SGM Medium-Duty Slotted Grate (28.9 Sq. In. [186 cm²] Open Area)



* Regularly furnished unless otherwise specified.