



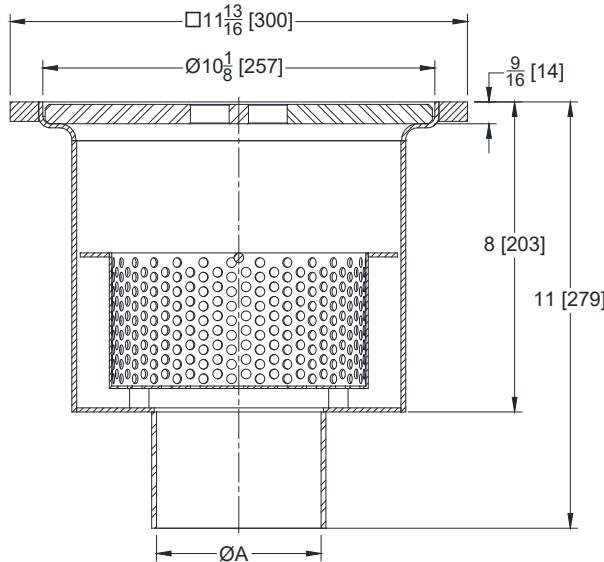
Z1830-12S

12" x 12" x 8" [305 x 305 x 203] SQUARE INDUSTRIAL FLOOR DRAIN WITH DEEP BODY

SPECIFICATION SHEET

TAG _____

Design and Dimensional Data (inches and [mm]) are Subject to Manufacturing Tolerances and Change Without Notice



| | |
|-----------------------|--|
| Approx. Wt. Lbs. [kg] | Grate Open Area Sq. In. [cm ²] |
| 30 [14] | 19.2 [124] |

*Three anchor tabs spaced 120 degrees apart not represented in cross section view.

ENGINEERING SPECIFICATION: Z1830-12S

12" x 12" x 8" [305 x 305 x 203] Deep, 12 gauge, type 304 stainless steel, square industrial sanitary floor drain features loose set heavy-duty slotted grate (1/2 [13] thick plate) with finger holes, 9/16 [14] top frame, perforated removable sediment bucket with lift handle, pre-pour stabilizing anchor tabs, and bead blasted finish.

OPTIONS (Check/specify appropriate options)

PIPE SIZE (ØA)

3, 4, 6 [76, 102, 152]

3, 4, 6 [76, 102, 152]

OUTLET (specify size)

___ BW Butt-Weld (Sch. 10)

___ NH No-Hub

PREFIXES

___ Z Type 304 (CF8) Stainless Steel*

___ ZM Type 316 (CF8M) Stainless Steel

SUFFIXES

___ -A Adjustable Threaded Outlet

___ -B Bell Trap

___ -BF Butterfly Lock Sediment Basket (Only available in 4" Outlet)

___ -K Anchor Flange

___ -KC Anchor Flange w/ Seepage Holes and Clamp Collar

___ -MG EZLock Magnetic Lock System

___ -P 1/2 [13] Trap Primer Connection

___ -6 6" [152] Deep Sump

___ -10 10" [254] Deep Sump

___ -12 12" [305] Deep Sump

GRATE OPTIONS

___ -H3 Heavy-Duty Perimeter Gap -1/2 [13] Plate (15 Sq. In. [97 cm²] Open Area)

___ -H5 Heavy-Duty Slotted Grate - 1/2 [13] Plate w/ Finger Holes (19.2 Sq. In. [124 cm²] Open Area)

* Regularly furnished unless otherwise specified

⚠ WARNING: Cancer and Reproductive Harm - www.P65Warnings.ca.gov

⚠ ADVERTENCIA: Cáncer y daño reproductivo - www.P65Warnings.ca.gov

⚠ AVERTISSEMENT: Cancer et effets néfastes sur la reproduction - www.P65Warnings.ca.gov

Zurn Industries, LLC | Specification Drainage Operation
1801 Pittsburgh Avenue, Erie, PA 16502, Ph. 855.663.9876

In Canada | Zurn Industries Limited
7900 Goreway Drive, Unit 10, Brampton, Ontario L6T 5W6, Ph. 877.892.5216

www.zurn.com

Rev. D
Date: 12/17/2020
C.N. No. 143326
Prod. | Dwg. No. Z1830-12S