



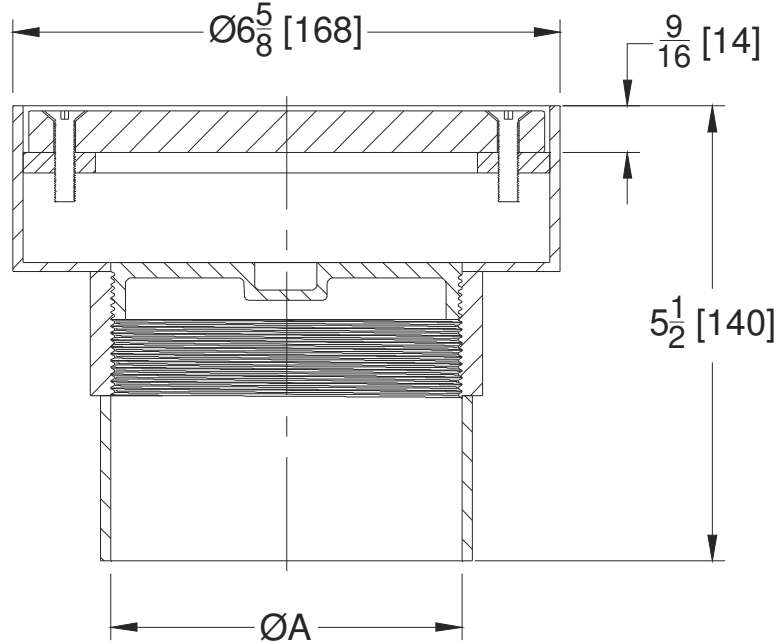
Z1840-6B
6" [152] DIAMETER ROUND INDUSTRIAL
FLOOR CLEANOUT

SPECIFICATION SHEET

TAG _____

Dimensional Data (inches and [mm]) are Subject to Manufacturing Tolerances and Change Without Notice

Approx. Wt. Lbs. [kg]
10 [5]



Engineering Specification: Z1840-6B

6-5/8 [168] Diameter, 12 gauge, type 304 stainless steel, round industrial sanitary cleanout features heavy-duty grate (1/2 [13] thick plate), PVC plug, and bead blasted finish. Drain meets U.S. FDA standards for corrosion resistance.

Options (Check/specify appropriate options)

Pipe Size (ØA) (Specify size/type) **Outlet**
 3-4 [76-102] _____ BW Butt-Weld
 3-4 [76-102] _____ NH No-Hub

Prefixes
 _____ Z Type 304 (CF8) Stainless Steel*
 _____ ZM Type 316 (CF8M) Stainless Steel

Suffixes
 _____ -A Adjustable Threaded Outlet

* Regularly furnished unless otherwise specified.