



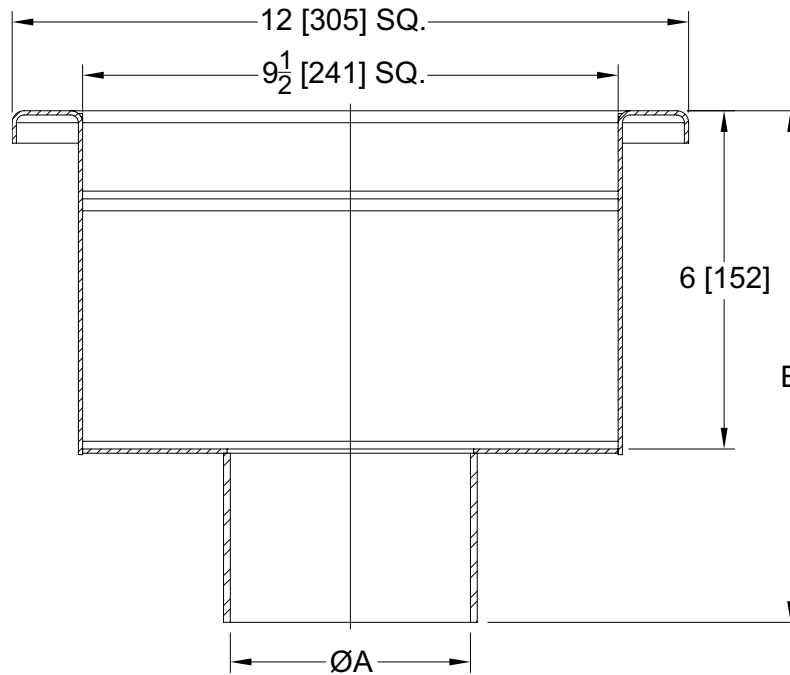
# Z1850

12" x 12" x 6" [305 x 305 x 152] SQUARE INDUSTRIAL FLOOR SINK

SPECIFICATION SHEET

TAG \_\_\_\_\_

Design and Dimensional Data (inches and [ mm ]) are Subject to Manufacturing Tolerances and Change Without Notice



Approx. Wt. Lbs. [kg]
10 [5]

### ENGINEERING SPECIFICATION: Z1850

12" X 12" X 6" [305 x 305 x 152] Deep, 14 gauge, type 304 stainless steel, loose set 12 gage light duty perforated grate, and stainless steel sediment basket.

**Options** (Check/specify appropriate options)

#### Pipe Size (ØA)

2, 3, 4, 6 [51, 76, 102, 152]  
2, 3, 4, 6 [51, 76, 102, 152]

#### Outlet (specify size)

\_\_\_ BW Butt-Weld (Sch. 40)  
\_\_\_ NH No-Hub (Sch. 10)

#### PREFIXES

\_\_\_ Z Type 304 (CF8) Stainless Steel\*  
\_\_\_ ZM Type 316 (CF8M) Stainless Steel

#### SUFFIXES

\_\_\_ -A Adjustable Threaded Outlet  
\_\_\_ -BF Butterfly Lock Sediment Basket (Only available in 4"[102mm] outlet)  
\_\_\_ -K Anchor Flange  
\_\_\_ -KC Anchor Flange w/ Seepage Holes and Clamp Collar  
\_\_\_ -MG EZLock Magnetic Lock System  
\_\_\_ -P 1/2 [13] Trap Primer Connection  
\_\_\_ -VP Vandal Proof Secured Top

#### GRATE OPTIONS

\_\_\_ -2 1/2 Grate  
\_\_\_ -3 1/2 Grate  
\_\_\_ -HD Heavy Duty Slotted Grate

\* Regularly furnished unless otherwise specified

**⚠ WARNING:** Cancer and Reproductive Harm - [www.P65Warnings.ca.gov](http://www.P65Warnings.ca.gov)

**⚠ ADVERTENCIA:** Cáncer y daño reproductivo - [www.P65Warnings.ca.gov](http://www.P65Warnings.ca.gov)

**⚠ AVERTISSEMENT:** Cancer et effets néfastes sur la reproduction - [www.P65Warnings.ca.gov](http://www.P65Warnings.ca.gov)

Zurn Industries, LLC | Specification Drainage Operation  
1801 Pittsburgh Avenue, Erie, PA 16502, Ph. 855.663.9876

In Canada | Zurn Industries Limited  
7900 Goreway Drive, Unit 10, Brampton, Ontario L6T 5W6, Ph. 877.892.5216

[www.zurn.com](http://www.zurn.com)

Rev. C  
Date: 09/09/2021  
C.N. No. 144042  
Prod. | Dwg. No. Z1850