



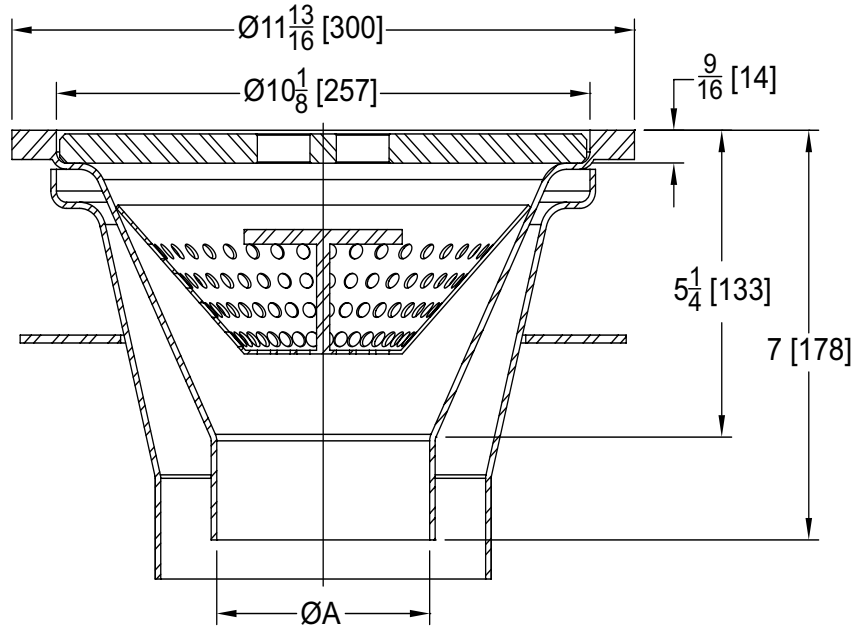
Z1899

12" [305] DIAMETER ROUND DOUBLE CONTAINMENT
SANITARY DRAIN

SPECIFICATION SHEET

TAG _____

Design and Dimensional Data (inches and [mm]) are Subject to Manufacturing Tolerances and Change Without Notice



Approx. Wt. Lbs. [kg]
28 [13]

ENGINEERING SPECIFICATION: Z1899

12" [305] Diameter 7" [178] Deep, 12 gauge, type 304 stainless steel, round drain features loose-set heavy-duty slotted grate with finger holes, perforated sediment bucket with lift handle and bead blasted finish.

OPTIONS (Check/specify appropriate options)

PIPE SIZE (ØA)

3, 4, 6 [76, 102, 152]

OUTLET (specify size)

___ NH No-Hub

PREFIXES

- ___ Z Type 304 (CF8) Stainless Steel*
- ___ ZM Type 316 (CF8M) Stainless Steel

SUFFIXES

- ___ -K Anchor Flange
- ___ -KC Anchor Flange w/ Seepage Holes and Clamp Collar
- ___ -MG EZLock Magnetic Lock System
- ___ -P 1/2 [13] Trap Primer Connection
- ___ -Y Sediment Basket

GRATE OPTIONS

- ___ -H3 Heavy-Duty Perimeter Gap - 1/2 [13] Plate (15 Sq. In. [97 cm²] Open Area). Add 1/2 [13] to overall height.
- ___ -H5 Heavy-Duty Slotted Grate - 1/2 [13] Plate w/ Finger Holes (19.2 Sq. In. [124 cm²] Open Area). Add 1/2 [13] to overall height.

* Regularly furnished unless otherwise specified

⚠ WARNING: Cancer and Reproductive Harm - www.P65Warnings.ca.gov

⚠ ADVERTENCIA: Cáncer y daño reproductivo - www.P65Warnings.ca.gov

⚠ AVERTISSEMENT: Cancer et effets néfastes sur la reproduction - www.P65Warnings.ca.gov

Zurn Industries, LLC | Specification Drainage Operation
1801 Pittsburgh Avenue, Erie, PA 16502, Ph. 855.663.9876

In Canada | Zurn Industries Limited
7900 Goreway Drive, Unit 10, Brampton, Ontario L6T 5W6, Ph. 877.892.5216

www.zurn.com

Rev.	A
Date:	12/17/2020
C.N. No.	143339
Prod. Dwg. No.	Z1899