



# Z5830

## 19" x 17" Wall Hung Enameled Cast Iron Lavatory

TAG \_\_\_\_\_

### Architectural/Engineering Specification:

19" x 17" enameled cast iron wall hung lavatory with various faucet holes setup.

### Configurations:

- Z5831 Lavatory with single faucet hole
- Z5834 Lavatory with 4" center faucet holes
- Z5838 Lavatory with 8" center faucet holes

### Product Features:

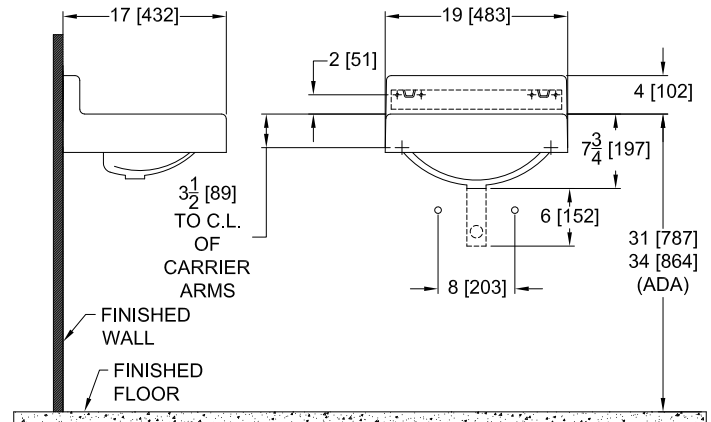
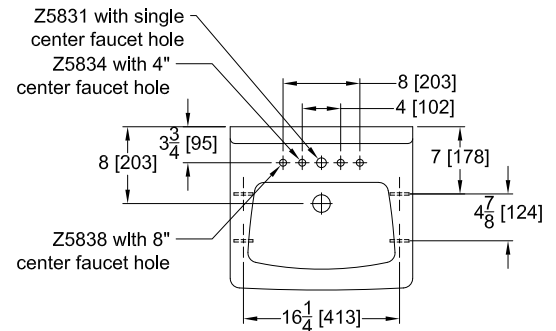
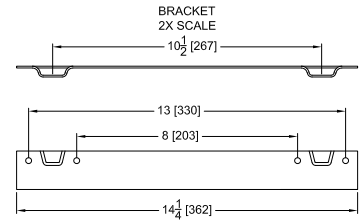
- 19" [483 mm] x 17" [432 mm]
- Enameled cast iron
- Faucet holes for single, 4" or 8" centers
- Wall hung lavatory provided with wall hanger and mounting lugs for use with exposed arm carrier systems.
- Waste: 1-1/4" O.D.
- Depth: 7-1/2"
- Shipping Weight: 61lbs.

### Recommended Trim:

- Z8743-PC Grid Strainer
- Z8700 Series P-Trap
- Z8800 Series Top with Flexible Supplies
- Z8946-1-NT ADA Trap, Stop, and Supply Protectors

### Optional Trim:

- Z8746-PC ADA Grid Strainer
- Z8946-3-NT ADA Trap, Stop, and Supply Protectors for Offset Grid Strainer



See Zurn One Systems for suggested packages.

**Architectural/Engineering Approval**

The information contained in this document is subject to change without notice. Please contact Zurn for most up to date information.

### Compliance and Certification:

- ADA Compliant



Meets the American Disabilities Guidelines and ANSI A117.1 requirements when installed 34" [84mm] from finished floor. Fixture dimensions meet ASME A112.19.1/CSA B45.2 requirements. In Canada - Consult local codes and standards.