



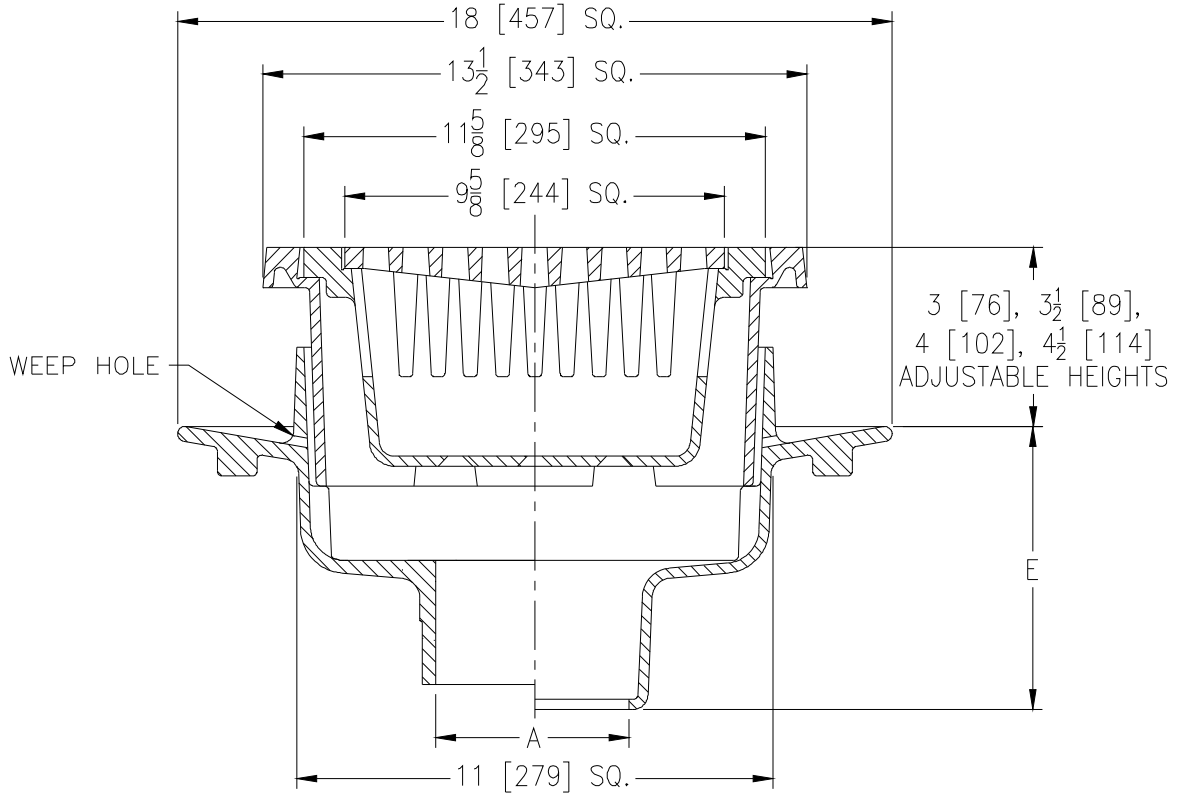
**Z675**

13-1/2 [343] SQUARE EXTRA HEAVY-DUTY DRAIN

SPECIFICATION SHEET

TAG \_\_\_\_\_

Dimensional Data (inches and [ mm ]) are Subject to Manufacturing Tolerances and Change Without Notice



A Pipe Size In [mm]	Approx. Wt. Lbs. [kg]	Grate Open Area Sq. In. [cm <sup>2</sup> ]
3,4,6 [76,102,152]	110 [50]	72 [465]

**ENGINEERING SPECIFICATION: ZURN Z675**

13-1/2" [343mm] Square top drain, Dura-Coated cast iron body with bottom outlet, seepage pan and vertically adjustable four position frame for Duresist extra heavy-duty loose slotted grate with suspended sediment bucket.

**OPTIONS** (Check/specify appropriate options)

**PIPE SIZE**

- 4 [102]
- 4 [102]
- 3,4,6 [76,102,152]
- 3,4,6 [76,102,152]
- 3,4 [76,102]

(Specify size/type) **OUTLET**

- \_\_\_\_\_ IC Inside Caulk
- \_\_\_\_\_ IG Inside Gasket
- \_\_\_\_\_ IP Threaded
- \_\_\_\_\_ NH No-Hub (IP w/ Z1040)
- \_\_\_\_\_ NL Neo-Loc

**'E' BODY HT. DIM.**

- 7-1/8 [181]
- 7-1/8 [181]
- 7-1/8 [181]
- 9-5/8 [244]
- 7-5/8 [194]

**PREFIXES**

- \_\_\_\_\_ Z D.C.C.I. Body and Duresist Top\*

**SUFFIXES**

- \_\_\_\_\_ -AR Acid Resisting Epoxy Coated Cast Iron
- \_\_\_\_\_ -C Clamp Collar
- \_\_\_\_\_ -G Galvanized Cast Iron
- \_\_\_\_\_ -TS Top Secured with Slotted Screws
- \_\_\_\_\_ -VP Vandal-Proof Secured Top

\* Regularly furnished unless otherwise specified.