



Z712

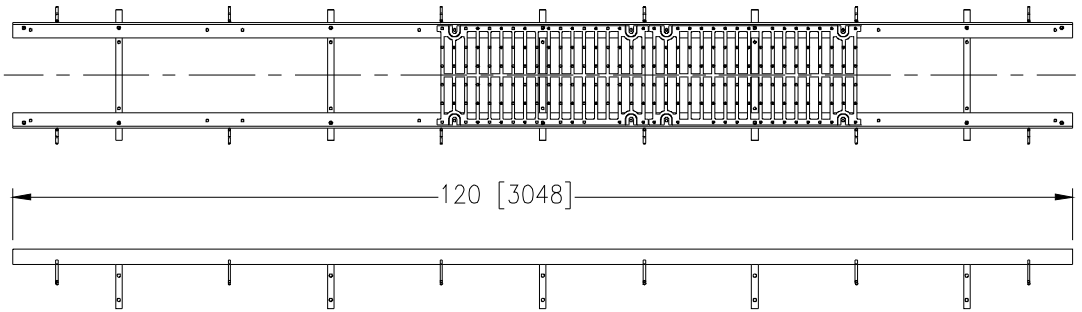
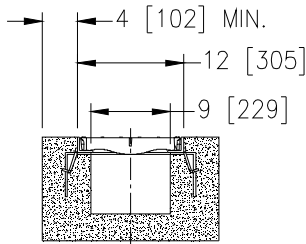
12 [305] WIDE REVEAL FRAME AND GRATE SYSTEM

SPECIFICATION SHEET

TAG _____

Dimensional Data (inches and [mm]) are Subject to Manufacturing Tolerances and Change Without Notice

SPECIFYING ENGINEER IS RESPONSIBLE FOR CONCRETE ENCASEMENT AND REINFORCING BASED UPON APPLICATION AND LOCAL CODES



ENGINEERING SPECIFICATION: Zurn Z712

Frame and Grate System are 120"[3048mm] long, 12"[305mm] wide reveal and have a 8-1/2"[216mm] clear opening. Shall mechanically lock into the concrete surround every 12" [305mm]. Provided with standard DGC grates that lock down to frame. Zurn 12" [305mm] wide reveal Ductile Iron Slotted Grate conforming to ASTM specification A536-84, Grade 80-55-06. Ductile Iron grate is rated class C per the DIN EN1433 top load classifications. Supplied in 24" [608mm] nominal lengths with 63/64" [25mm] wide slots, and 1-1/2" [38mm] bearing depth. Grate has an open area of 86.7 sq. in per ft. [183515 sq. mm per meter]. The 1/4" [6mm] thick Heavy-Duty Carbon Steel Frame Assembly conforms to ASTM specification A36 with 12 - 4" [102mm] long concrete anchors per 120" [3048mm]. Grate lockdown bars are to be integral to the frame. The frame is supplied with a powder coated finish. Frames produced in the U.S.A.

PREFIX OPTIONS (Check/specify appropriate options)

- Z Ten-foot Heavy Duty Carbon Steel Frame *

SUFFIX OPTIONS (Check/specify appropriate options)

Frame Options

- CBF Black Acid Resistant Coated Top Frame
- CWF White Acid Resistant Coated Top Frame
- GFA Galvanized Frame Assembly
- SF Type 304 Stainless Steel Top Frame (316 By Request)

Grate Options (Load Classifications are per DIN EN1433)

- BG Galvanized Ductile Iron Bar Grate - Class D
- BG-L Galvanized Steel Bar Grate - Class C
- BDC Black Acid Resistant Ductile Grate - Class C
- BDE Black Acid Resistant Ductile Grate - Class E
- BDF Black Acid Resistant Ductile Grate - Class F
- DC Ductile Iron Solid Cover - Class E
- DC-G Galvanized Ductile Iron Solid Cover - Class E
- DGC Ductile Iron Slotted Grate - Class C *
- DGE Ductile Iron Slotted Grate - Class E
- DGF Ductile Iron Slotted Grate - Class F
- GDC Galvanized Ductile Slotted Grate - Class C
- GDE Galvanized Ductile Slotted Grate - Class E
- GDF Galvanized Ductile Slotted Grate - Class F
- GG Fiberglass Grate - Class A
- GHPD Galvanized Heel-Proof Ductile Slotted Grate - Class B
- GHPDE Galvanized Heel-Proof Ductile Slotted Grate - Class E
- HPD Heel-Proof Ductile Slotted Grate - Class B
- HPDE Heel-Proof Ductile Slotted Grate - Class E
- RFGC Reinforced Slotted Galvanized Grate - Class C
- RFSC Reinforced Slotted Stainless Steel Grate - Class C
- RPGC Reinforced Perforated Galvanized Grate - Class C
- RPGRC Reinforced Perforated Galvanized Reverse Punch Grate - Class C
- RPSC Reinforced Perforated Stainless Steel Grate - Class C
- RPSRC Reinforced Perforated Stainless Steel Reverse Punch Grate - Class C

MADE in the U.S.A.

- ADA-USA Meets Americans with Disabilities Act Requirements - Class C
- BDE-USA Black Acid Resistant Ductile Grate - Class E
- DGC-USA Ductile Iron Slotted Grate - Class C
- DGE-USA Ductile Iron Slotted Grate - Class E
- FG Fabricated Galvanized Steel Slotted Grate - Class A
- FS Fabricated Stainless Steel Slotted Grate - Class A
- GADA-USA Galvanized Ductile ADA Slotted Grate - Class C
- GDC-USA Galvanized Ductile Slotted Grate - Class C
- GDE-USA Galvanized Ductile Slotted Grate - Class E
- GHPDE-USA Galvanized Ductile Slotted Grate - Class E
- HPDE-USA Heel-Proof Ductile Slotted Grate - Class E
- PG Perforated Galvanized Steel Grate - Class A
- PGR Perforated Galvanized Reverse Punch ADA Grate - Class A
- PS Perforated Stainless Steel Grate - Class A
- PSR Perforated Stainless Steel Reverse Punch ADA Grate - Class A
- RFG Reinforced Galvanized Slotted Grate - Class B
- RFS Reinforced Stainless Steel Slotted Grate - Class B
- RPG Reinforced Galvanized Perforated Grate - Class B
- RPGRC Reinforced Galvanized Perforated Reverse Punch Anti-Slip ADA Grate - Class B
- RPS Reinforced Stainless Steel Perforated Grate - Class B
- RPSRC Reinforced Stainless Steel Perforated Reverse Punch Anti-Slip ADA Grate - Class B
- SBG-L Stainless Steel Bar Grate - Class C
- SSCD Reinforced Stainless Steel Solid Cover - Class B

Miscellaneous Options

- RC Rebar Clip (Set of 2)
- VP Vandal-Proof Lockdown

* Regularly furnished unless otherwise specified.