



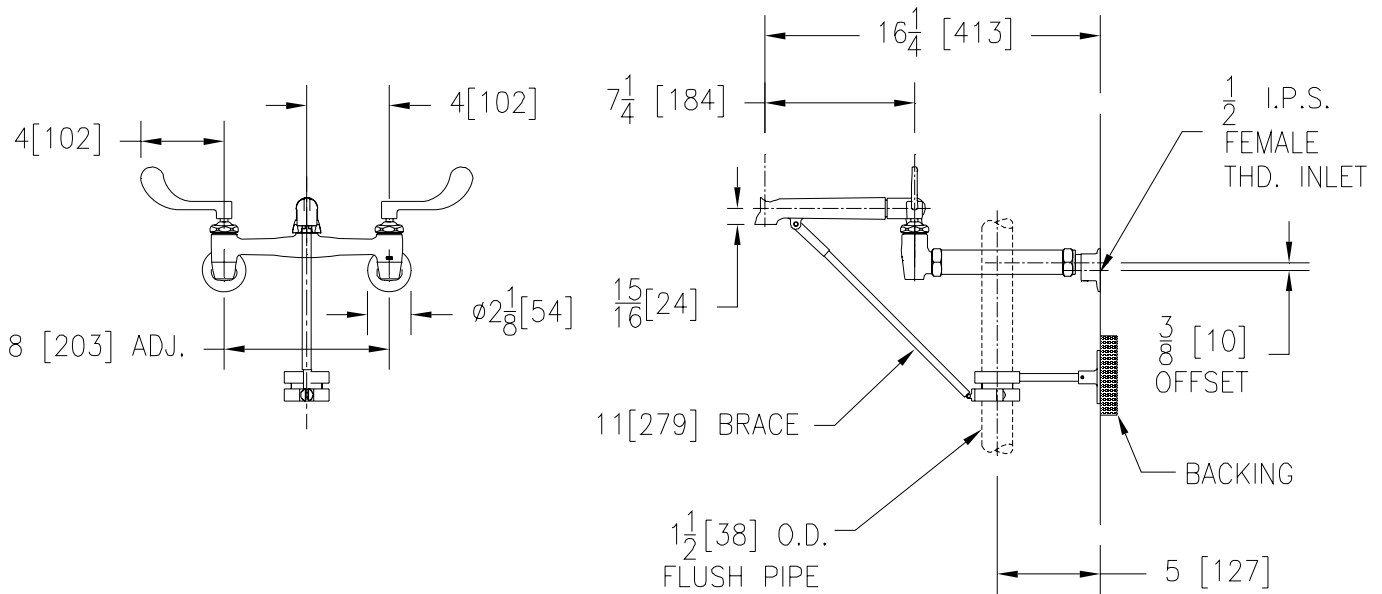
SINK FAUCET

Z843D4-LVB-PE-5XT-FT-YJ

TAG _____

Engineering Specification: Zurn AquaSpec® Z843D4-LVB-PE-5XT-FT-YJ

Polished chrome-plated cast brass 8" [203mm] sink faucet with quarter-turn ceramic disc cartridges, 3/8" [10mm] short swivel inlets providing adjustable centers from 7-1/4" [184mm] to 8-3/4" [222mm], integral service stops and a 6" [152mm] centerline cast brass plain end spout, pail hook, a flush tube spout brace and wall brace. Unit is furnished with 4" [102mm] vandal-resistant color-coded metal wrist blade handles.



Note: All dimensions are for reference only. Do not use for pre-plumbing.

OPTIONAL ACCESSORIES

Suffix	Description
___-CS	Check Stop
___-HCT	Hot/Cold Text Indexes
___-LSI	2-1/2" [64mm] long swivel inlets
___-RC	Rough Chrome Plated
___-WHK	Wall Hook
___-5H	5' [152cm] Vinyl Hose
___-2XT	2" Extension

ZURN INDUSTRIES, LLC ♦ COMMERCIAL BRASS OPERATION ♦ 2640 SOUTH WORK STREET ♦ FALCONER NY 14733

Phone: 1-716-665-1132 ♦ Fax: 1-716-665-1135 ♦ World Wide Web: www.zurn.com

In Canada: ZURN INDUSTRIES LIMITED ♦ 3544 Nashua Drive ♦ Mississauga, Ontario L4V1L2 ♦ Phone: 905/405-8272 Fax: 905/405-1292