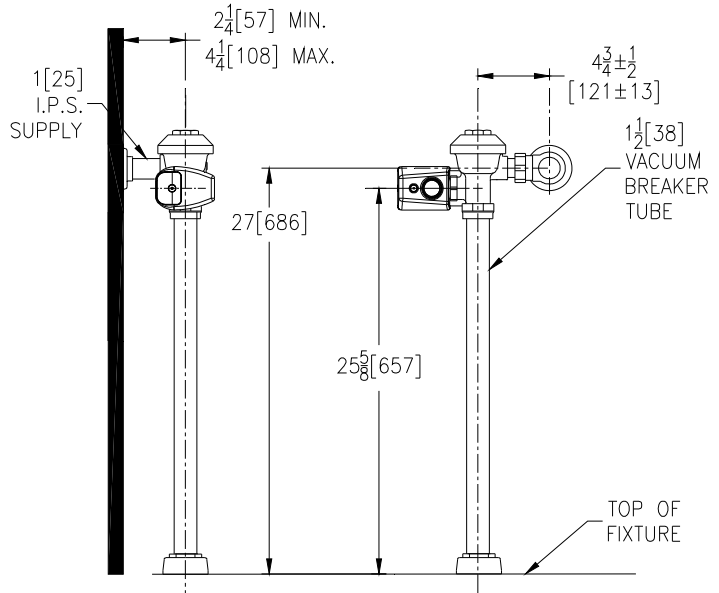


# ZER6000-YB-YC-3-CP

Sensor Operated Battery Powered Flush Valve for Water Closets



## Flow Options

- WS1 1.6 gpf Low Consumption Flush
- WS 3.5 gpf Water Saver
- FF 4.5 gpf Full Flush

## Accessories

- YJ Split Ring Pipe Support
- YK Solid Ring Pipe Support
- \_\_\_\_\_ Other

Architectural/Engineering Approval

The information contained in this document is subject to change without notice.  
Please contact Zurn for most up to date information.

ZURN INDUSTRIES, LLC. ♦ COMMERCIAL BRASS OPERATION  
5900 ELWIN BUCHANAN DRIVE ♦ SANFORD NC 27330  
PHONE: 1-800-997-3876 ♦ FAX: 919-775-3541  
WWW.ZURN.COM  
IN CANADA: ZURN INDUSTRIES LIMITED  
3544 NASHUA DRIVE ♦ MISSISSAUGA, ONTARIO L4V1L2  
PHONE: 905-405-8272 FAX: 905-405-1292

## ENGINEERING SPECIFICATIONS

Exposed, quiet diaphragm-type, chrome plated flushometer valve with a polished exterior.

- Zurn's Aquafush® TPE diaphragm
  - Clog Resistant by-pass
  - Chloramine resistant
  - Dual seal
- Proprietary DR resistant low lead brass alloy
- Sensor Module
  - Impact resistant chrome cover
  - ADA compliant
  - 6VDC Motor Actuator
  - Battery Powered Sensor
  - Override Button
  - 10° Angle Sensor High Mount Adapter Kit
- Control Stop
  - Internal siphon-guard protection
  - Sweat solder kit
  - Cast wall flange
- Vacuum Breaker
  - High back pressure
  - One piece hex coupling nut
- Internal seals
  - Chloramine resistant
- Adjustable tailpiece
- Spud coupling and flange for top spud connection