

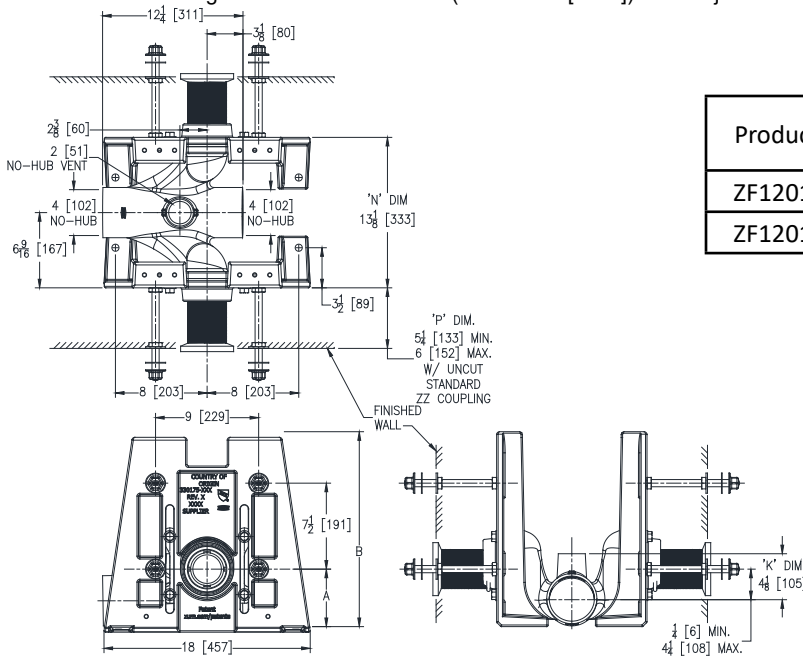


ZF1201-UD4-F_
ONE-PIECE COMBINATION BACK-TO-BACK FOOT/FACEPLATE
EZCARRY® HORIZONTAL HIGH PERFORMANCE SIPHON JET NO-
HUB WATER CLOSET CARRIER SYSTEM

SPECIFICATION SHEET

TAG _____

Design and Dimensional Data (inches and [mm]) are Subject to Manufacturing Tolerances and Change Without Notice



Product Number	Approx. Wt. lbs [kg]	Dimensions in Inches [mm]	
		A	B
ZF1201-UD4-F55	130 [60]	5-1/2 [140]	17 [432]
ZF1201-UD4-F75		7-1/2 [191]	

- Note:
1. Cut 6 [152] adjustable coupling minimum "P" dimension obtainable = 2 [51]. EZSet™ coupling, minimum 'P' dimension obtainable = 4-1/4 [108] or 1-1/16 [27] for 12 [305] NPT.
 2. For floor mounting, faceplate bolted to floor using 1/2 [13] diameter anchors.
 3. For strut channel attachment, 3/8 [10] bolts recommended.

ENGINEERING SPECIFICATION: ZURN ZF1201-UD4-F_

EZCarry® One-piece combination floor mounted foot/faceplate horizontal siphon jet water closet carrier system, supplied for () rough-in height, features high performance Dura-Coated cast iron main fitting with hydro-mechanically optimized sweep, 4" [102mm] no-hub connections and extended 2" [51mm] vent. Faceplates enable prefabrication with strut channel or angle iron. Corrosion resistant, adjustable 3" [76mm] dia. X 6" [152mm] couplings with integral test caps, designed to increase flow velocity and line carry, and labor saving "Neo-Seal" bonded gaskets optimize flow performance while reducing installation steps. Complete system includes one-piece combination foot/faceplates, fixture bolts, trim and stud protectors. EZCarry® one-piece combination floor mounted foot/faceplate system complies with all applicable requirements of ASME A112.6.1M up to a 500 lbs [227kg] maximum static load.

OPTIONS (Check/specify appropriate options)

- _____ **ZF1201-UD4-F55** 4 [102] No-Hub Back-to-Back Inlet (Double) with 5-1/2 [140] Non-Adjustable Rough-In Height
 _____ **ZF1201-UD4-F75** 4 [102] No-Hub Back-to-Back Inlet (Double) with 7-1/2 [191] Non-Adjustable Rough-In Height

PREFIXES

- _____ ZF D.C.C.I. System with Zurn ZZ Adjustable Coupling*
 _____ ZQF D.C.C.I. System with NPT Faceplate, Non-Adjustable Coupling

SUFFIXES

- | | |
|------------------------------------------------------------------------------------------------------------------------|----------------------------------------------------------------------------|
| _____ -A Auxiliary Support Assembly
(For 'P' Dim. Greater than 18 [457]) | _____ -G Galvanized Cast Iron |
| _____ -CC Corrosion Resistant Cast Iron Coupling
(2-1/4 to 12 [57 to 305]) | _____ -JC 2 [51] Auxiliary Inlet with 1/8 [3] Bend |
| _____ -CE EZ-Set™ Coupling (NPSM 6 [152] , 12 [305] or custom)
(NPT 12 [305] or custom) | _____ -M Auxiliary Foot Support
(for 'P' Dim. 7 thru 18 [178 thru 457]) |
| _____ -CL Custom Length Standard Coupling with Integral Test Cap
(Specify Length 4, 8, 10, 12 [102, 203, 254, 305]) | _____ -VP Vandal-Proof Trim |
| _____ -CS 2-1/4 [57] Polymer Coupling with Integral Test Cap
(ZZ Coupling Only) | _____ -45 Finishing Frame for Siphon Jet System |

⚠ **WARNING:** Cancer and Reproductive Harm - www.P65Warnings.ca.gov
 ⚠ **ADVERTENCIA:** Cáncer y daño reproductivo - www.P65Warnings.ca.gov
 ⚠ **AVERTISSEMENT:** Cancer et effets néfastes sur la reproduction - www.P65Warnings.ca.gov

Zurn Industries, LLC | Specification Drainage Operation
 1801 Pittsburgh Avenue, Erie, PA 16502, Ph. 855.663.9876

In Canada | Zurn Industries Limited
 7900 Goreway Drive, Unit 10, Brampton, Ontario L6T 5W6, Ph. 877.892.5216

www.zurn.com

Rev. D
 Date: 4/20/2023
 C.N. No. 145272
 Patent zurn.com/patents
 Prod. | Dwg. No. ZF1201-UD4-F_