



ZF1202-N4-F_

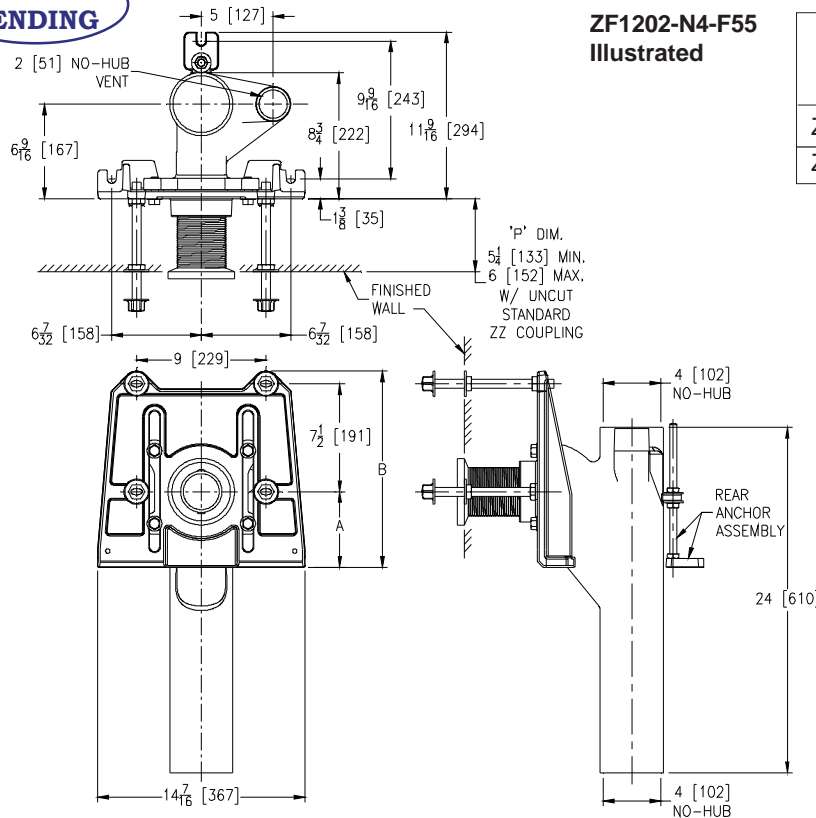
ONE-PIECE COMBINATION FOOT/FACEPLATE
EZCARRY® VERTICAL HIGH PERFORMANCE
SIPHON JET NO-HUB WATER CLOSET CARRIER SYSTEM

SPECIFICATION SHEET

TAG _____

**PATENT
PENDING**

Dimensional Data (inches and [mm]) are Subject to Manufacturing Tolerances and Change Without Notice



**ZF1202-N4-F55
Illustrated**

Product Number	Approx. Wt. lbs [kg]	Dimensions in Inches [mm]	
		A	B
ZF1202-N4-F55	87 [39]	5-1/2 [140]	13-7/8 [352]
ZF1202-N4-F75	91 [41]	7-1/2 [191]	15-7/8 [403]

Note:

1. Cut ZZ Coupling, Min. 'P' Dim. Obtainable = 2 [51]
Cut ZQ Coupling, Min. 'P' Dim. Obtainable = 5 [127]
2. Feet bolted to floor using min. 1/2 [13] dia. anchors.
3. Rear anchor assembly required for secure installation.
4. 2 [51] No-Hub vent connection regularly furnished on right hand side. Left hand available when specified (Suffix -VL)
5. Auxiliary inlet available right (-JR) or left (-JL) or both sides (-JJ) when specified.

ENGINEERING SPECIFICATION: ZURNZF1202-N4-F_

EZCarry® One-Piece combination floor mounted foot/faceplate vertical siphon jet water closet carrier system, supplied for () rough-in height, with high performance Dura-Coated cast iron main fitting with hydro-mechanically optimized sweep, 4" [102 mm] no-hub connections and extended 2" [51mm] vent. Corrosion resistant, adjustable 3" [76 mm] dia. X 6" [152 mm] coupling with integral test cap, designed to increase flow velocity and line carry, and labor saving "Neo-Seal" bonded gasket optimizes flow performance while reducing installation steps. Complete system includes one-piece combination foot/faceplate; heavy-duty 1/2" [13mm] rear anchor tie down; fixture bolts, trim and stud protectors. EZCarry® one-piece combination floor mounted foot/faceplate system complies with all applicable requirements of ASME A112.6.1M up to a 500 lbs [227 kg] maximum static load.

OPTIONS (Check/specify appropriate options)

- ___ **ZF1202-N4-F55** 4 [102] No-Hub Right Hand Inlet with Flow to Left with 5-1/2 [140] Non-Adjustable Rough-In Height
___ **ZF1202-N4-F75** 4 [102] No-Hub Left Hand Inlet with Flow to Right with 7-1/2 [191] Non-Adjustable Rough-In Height

PREFIXES

- ___ ZF D.C.C.I. System with Zurn ZZ Adjustable Coupling*
___ ZQF D.C.C.I. System with NPT Faceplate, Non-Adjustable Coupling

SUFFIXES

- | | | | |
|---------|---|---------|---|
| ___ -A | Auxiliary Support Assembly (For 'P' Dim. Greater than 18 [457]) | ___ -F | Floor Mounted, Back Outlet Fixture Support |
| ___ -CC | Corrosion Resistant Cast Iron Coupling (2-1/4 to 12 [57 to 305]) | ___ -G | Galvanized Cast Iron |
| ___ -CE | EZ-Set™ Coupling (Available 6, 12 [152, 305] or longer when specified. Minimum length = 5 [127]) | ___ -JJ | Two 2 [51] Auxiliary Inlets |
| ___ -CL | Custom Length Standard Coupling with Integral Test Cap (Specify Length 4, 8, 10, 12 [102, 203, 254, 305]) | ___ -JL | 2 [51] Left-Hand Auxiliary Inlet |
| ___ -CS | 2-1/4 [57] Polymer Coupling with Integral Test Cap (ZZ Coupling Only) | ___ -JR | 2 [51] Right-Hand Auxiliary Inlet |
| | | ___ -M | Auxiliary Foot Support (for 'P' Dim. 10 thru 18 [254 thru 457]) |
| | | ___ -VL | Left Hand Vent Connection |
| | | ___ -VP | Vandal-Proof Trim |
| | | ___ -45 | Finishing Frame for Siphon Jet System |
| | | ___ -50 | Flush Valve Supply Support for Water Closets |

* Regularly furnished unless otherwise specified.

Zurn Industries, LLC | Specification Drainage Operation
1801 Pittsburgh Avenue, Erie, PA U.S.A. 16502 · Ph. 855-663-9876, Fax 814-454-7929
In Canada | Zurn Industries Limited
3544 Nashua Drive, Mississauga, Ontario L4V 1L2 · Ph. 905-405-8272, Fax 905-405-1292
www.zurn.com

Rev. -
Date: 5/16/16
C.N. No. 134263
Prod. | Dwg. No. ZF1202-N4-F_