



NEO-LOC DRAIN GASKET WITH INTEGRAL TEST CAP

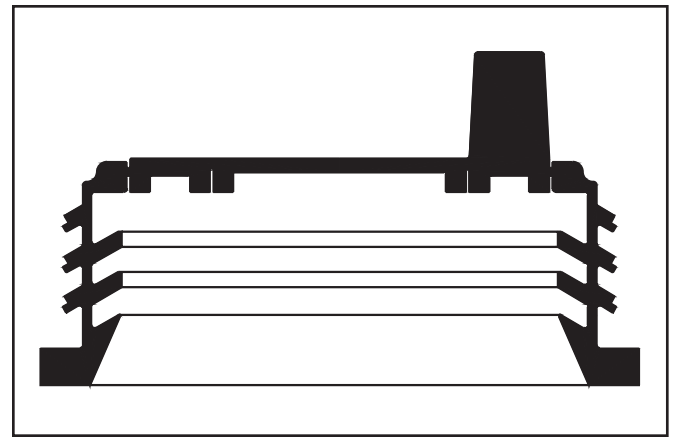
The Zurn Neo-Loc Gasket with Integral Test Cap is a unique pipe connection designed to secure a drain fixture to the drain line. This labor-saving compression gasket is compatible with plastic, steel, no-hub, extra heavy and service weight cast iron soil pipe. Both the Neo-Loc drain body and compression gasket are de-signed to simply push onto the stub end of the pipe. A pipe stop molded into each drain body ensures a proper fit.

It is often required by plumbing codes that drain lines be tested for leakage once installation is complete. This test is typically performed by plugging all openings in the drain line system and applying a hydrostatic pressure charge of not less than 10-ft head pressure to the lines for at least 15 minutes prior to inspection. The slightest loss of pressure in the system may indicate a possible leak.

Preparation to perform such testing can be a time-consuming and labor-intensive process. All drain fixtures must be plugged prior to line pressurization, and unplugged upon test completion. Current methods of preparation may involve the use of an inflatable test plug (Figure 1). Each plug is inserted into an opening in the drain line and inflated to block off the line. Once testing is complete, the plugs have to be deflated and removed. This whole process requires initial setup and post-test removal of the plugs, costing valuable time.

The Zurn Neo-Loc Gasket with Integral Test Cap eliminates the need for multiple test plugs and requires no loss of time for setup, prior to line system pressurization. The test cap is already in place when the drain body is installed, allowing for immediate testing (Figure 2). There is no need to carry multiple plugs from one drain fixture to another.

Maximum operating pressure – 10 psi.
Material conforms to ASTM standard C564.



Zurn Neo-Loc Gasket

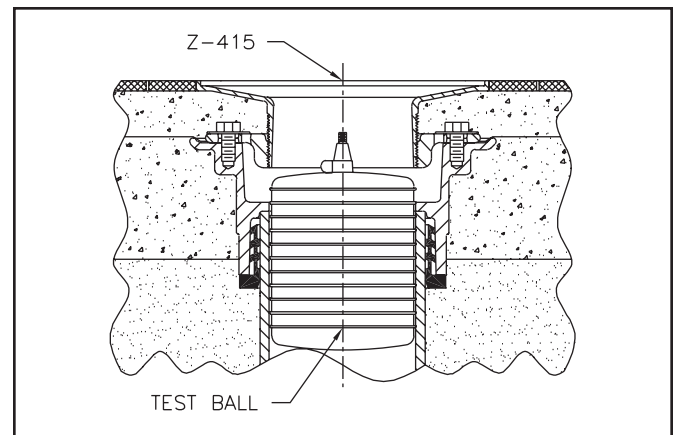


Figure 1

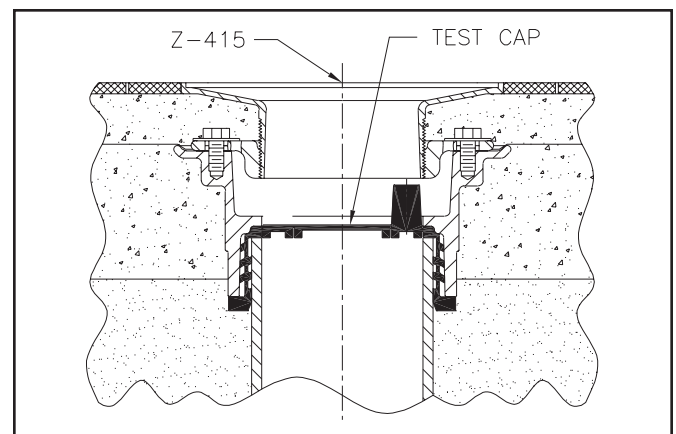


Figure 2

⚠ **WARNING:** Cancer and Reproductive Harm - www.P65Warnings.ca.gov
⚠ **ADVERTENCIA:** Cáncer y daño reproductivo - www.P65Warnings.ca.gov
⚠ **AVERTISSEMENT:** Cancer et effets néfastes sur la reproduction - www.P65Warnings.ca.gov

Benefits of using the Neo-Loc Gasket with Integral Test Cap

- No setup time required. The test cap is already installed along with the gasketed drain body. There is no need to carry around separate test plugs and equipment from drain to drain.
- During construction and installation, dirt and debris often fall down into the drain line, creating possible blockage problems. The test cap portion of the gasket prevents this from occurring, prior to line system pressurization.
- Ease of removal. The test cap portion is easily removed and discarded leaving a clean-edged opening for water to flow through the gasket and pipe.
- Individual test plugs may become lost, damaged, and unusable after some use. The need to replace these plugs is eliminated, saving the contractor and customer money.

Installation of the Gasket

1. Make sure that the end of the drain pipe is cut square, is free of any burrs, and all sharp edges are removed.
2. Lubricate the inner and outer ribs of the gasket and the outside diameter of the pipe.
3. Fully insert the gasket into the properly sized neo-loc drain body.
4. Push the drain body and gasket onto the end of the drain line until the pipe comes to a secure stop.

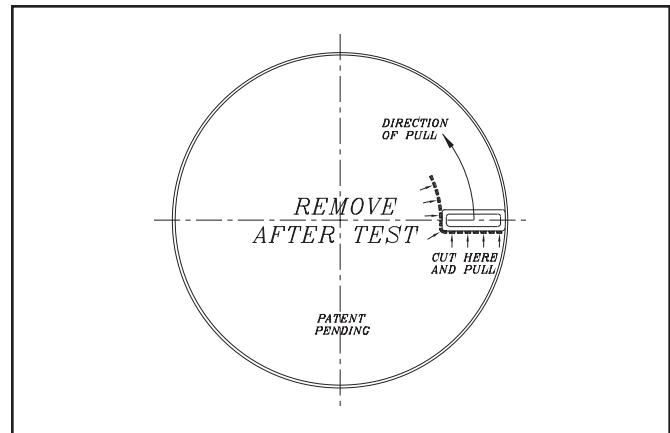


Figure 3

Instructions for Removal of the Test Cap

Once testing of the drain line system is complete, and permission has been given to open the lines, the test cap portion of the gasket can be removed by following these quick, easy steps:

1. Locate the dotted cutting line near the pull handle on the top surface of the gasket (Figure 3).
2. Using a sharp-bladed utility knife, reach down into the drain body and cut into the gasket along the dotted line. It is important to make sure that the cut is made fully through the two annular shaped rings shown in Figure 4. Failure to cut through these rings can result in tearing of the pull handle during removal of the cap.
3. Using a pair of long-handled channel lock pliers, grab the handle firmly and pull in a radial direction opposite of the cutting line (Figure 3).
4. Continue pulling the handle until the cap portion is completely severed from the body of the gasket.
5. Figure 5 shows a finished installation of the gasket after testing has been completed.

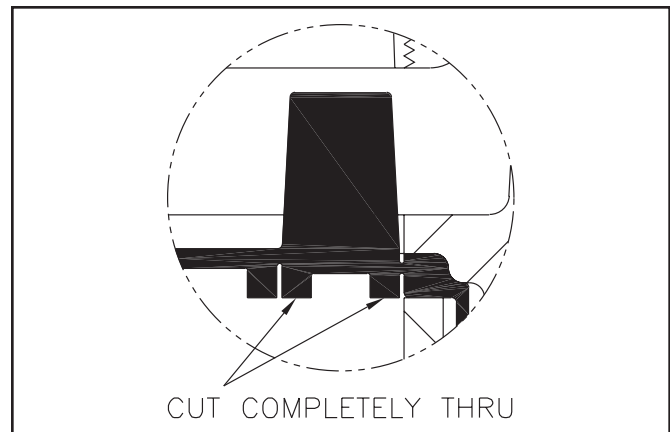


Figure 4

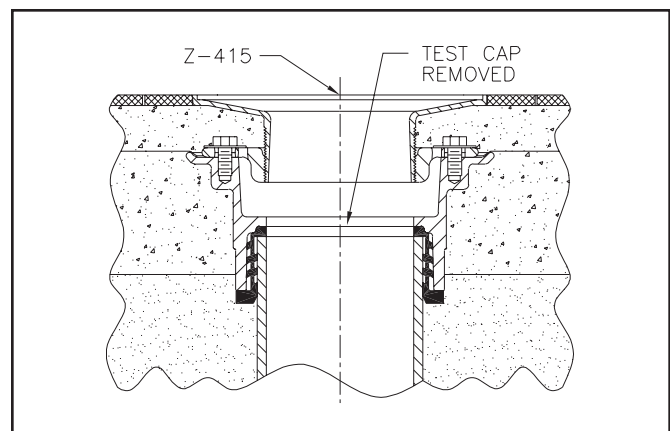


Figure 5